

SEIKO

QUARTZ

Cal. 14B

PARTS LIST

Cal. 14B



121 145



131 145



☆224 140



231 140



241 140



261 140



☆271 140



282 140



351 142



383 140



384 140



387 140



388 140



391 140



490 140



491 140



493 160



☆4001 142



4002 140



4146 140



4225 140



4239 140



4242 142



4242 146



4270 140



4446 140



011 541



☆SEIKO SB-DG



012 155



012 156



012 157



012 208



012 374



012 461



012 464



012 777



017 146



017 147



017 148



017 150



017 151



017 160

3/1

Cal. 14B

Characteristics

Casing diameter : 15.1 mm × 13.0 mm
 Maximum height : 2.3 mm without battery
 Jewels : 2 J
 Frequency of quartz crystal oscillator : 32,768 Hz (Hz=Hertz Cycles per second)
 Driving system : Step motor (2 poles)
 Regulation system : Trimmer condenser

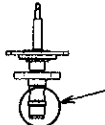

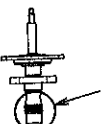

| PART NO. | PART NAME | PART NO. | PART NAME |
|-----------|--|--------------------|------------------------------------|
| 121 145 | Center wheel bridge | 017 146 | Tube for center wheel bridge screw |
| 131 145 | Third wheel bridge | 017 147 | Tube for third wheel bridge screw |
| ☆224 140 | Center wheel with cannon pinion (3.39 mm) | 017 148 | Tube for setting lever |
| ☆224 141 | Center wheel with cannon pinion (3.49 mm) | 017 150 | Tube for coil block |
| 231 140 | Third wheel & pinion | 017 151 | Tube for circuit block A |
| 241 140 | Fourth wheel & pinion | 017 160 | Tube for circuit block B |
| 261 140 | Minute wheel | ☆SEIKO SB-DG } | Silver II oxide battery |
| ☆271 140 | Hour wheel (0.85 mm, silver) | ☆SEIKO TR621SW } | |
| ☆271 141 | Hour wheel (0.95 mm, gold) | ☆Toshiba SR621SW } | Silver oxide battery |
| 282 140 | Clutch wheel | ☆Toshiba W1V } | |
| 351 142 | Winding stem (14.10 mm) | ☆Maxell SR620SW } | |
| 383 140 | Setting lever | | |
| 384 140 | Yoke (Clutch lever) | | |
| 387 140 | Minute wheel bridge | | |
| 388 140 | Setting lever spring | | |
| 391 140 | Second setting lever | | |
| 490 140 | Center wheel friction spring | | |
| 491 140 | Dial washer | | |
| 493 160 | Hour wheel ring (Thickness 0.03mm, gold) | | |
| 493 161 | Hour wheel ring (Thickness 0.05 mm, silver) | | |
| 493 162 | Hour wheel ring (Thickness 0.07 mm, gold) | | |
| ☆4001 142 | Circuit block | | |
| 4002 140 | Coil block | | |
| 4146 140 | Step rotor | | |
| 4225 140 | Holding ring for battery | | |
| 4239 140 | Rotor stator | | |
| 4242 142 | Plus terminal of battery connection A | | |
| 4242 146 | Plus terminal of battery connection B | | |
| 4270 140 | Battery connection | | |
| 4446 140 | Crystal unit cushion | | |
| 011 541 | Upper hole jewel for step rotor | | |
| 011 541 | Lower hole jewel for step rotor | | |
| 012 155 | Dial screw | | |
| 012 156 | Coil block screw | | |
| 012 156 | Circuit block screw A | | |
| 012 156 | Center wheel bridge screw | | |
| 012 157 | Third wheel bridge screw | | |
| 012 208 | Setting lever spring screw | | |
| 012 374 | Screw for holding spring for battery | | |
| 012 461 | Circuit block screw D | | |
| 012 464 | Circuit block screw C | | |
| 012 777 | Minute wheel bridge screw | | |

☆⇨Please see remarks on the reverse page.
 Part numbers in light letters are not shown in photos.

Cal. 14B

Remarks :

Center wheel with cannon pinion, Hour wheel.
 There are two different types as specified below.
 Combination

| Type | Center wheel with cannon pinion | Hour wheel |
|------|---|--|
| a |  ☆224 140 | Silver  ☆271 140 |
| b |  ☆224 141 | Gold  ☆271 141 |

Circuit block

☆4001 142.....The parts No. 4001 140 is also used.

Battery

- ☆SEIKO TR621SW
- ☆SEIKO SB-DG
- ☆Toshiba SR621SW
- ☆Toshiba W1V
- ☆Maxell SR620SW

The applied battery for this calibre might be added the substitutive in the future.
 In that case, please refer to separate **"BATTERIES FOR SEIKO QUARTZ WATCHES"**.

Note that SEIKO battery is marked with **"SEIZAIKEN"** on its (+) side.