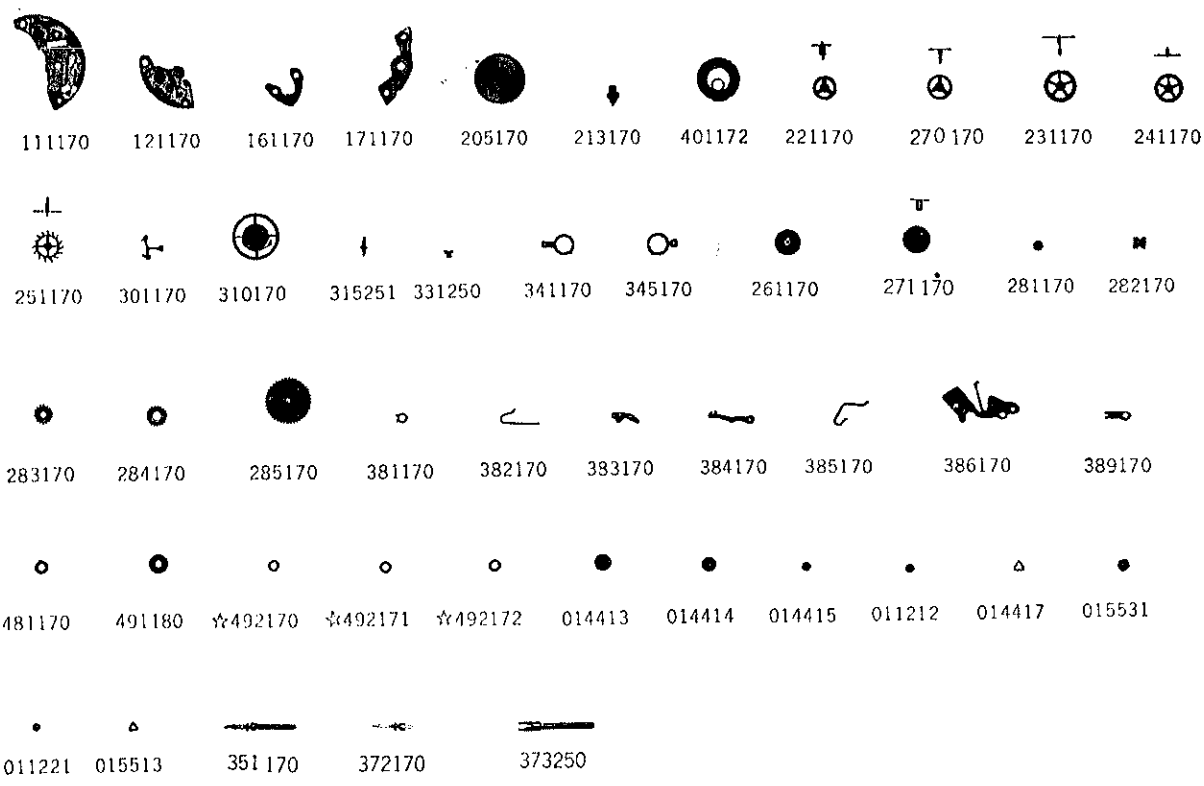


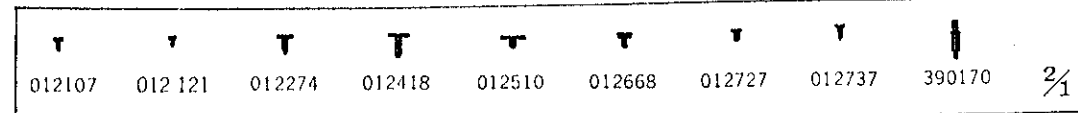
Cal. 17A

Characteristics

Casing diameter: 13.50 ϕ mm
 Maximum height: 3.20 mm
 Vibrations per hour: 21,600
 Non-automatic
 "Diashock" Shock Resistant Device
 "Diafix" Oil Lubrication Device



111170 121170 161170 171170 205170 213170 401172 221170 270170 231170 241170
 251170 301170 310170 315251 331250 341170 345170 261170 271170 281170 282170
 283170 284170 285170 381170 382170 393170 384170 385170 386170 389170
 481170 491180 ☆492170 ☆492171 ☆492172 014413 014414 014415 011212 014417 015531
 011221 015513 351170 372170 373250



012107 012121 012274 012418 012510 012668 012727 012737 390170 $\frac{2}{1}$

Catalog No.

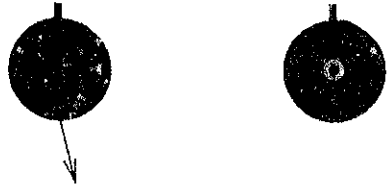



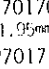

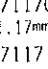

Calibre No.	Jewels	Style Name	
17A	20j		
PART NO.	LIST OF MATERIALS	PART NO.	LIST OF MATERIALS
111170	Barrel bridge	011221	Diafix cap jewel
121170	Train-wheel bridge	015513	Diafix spring
161170	Pallet cock	012107	Dial screw
171170	Balance cock	012121	Stud screw
205170	Complete barrel with arbor	012274	Pallet cock screw
213170	Barrel arbor	012274	Bridge screw
221170	Large driving wheel & pinion (off center)	012418	Screw for intermediate ratchet wheel
231170	Third wheel & pinion	012510	Crown wheel screw
241170	Fourth wheel & pinion	012510	Ratchet wheel screw
251170	Escape wheel & pinion	012668	Click screw
261170	Minute wheel	012727	Setting lever spring screw
270170	Center minute wheel with cannon pinion	012737	Setting lever axle spring screw
271170	Hour wheel	011153	Lower hole jewel for barrel & pinion
281170	Setting wheel	011536	Upper hole jewel for large driving wheel & pinion
282170	Clutch wheel	011536	Lower hole jewel for large driving wheel & pinion
283170	Winding pinion	011542	Upper hole jewel for 3rd wheel
284170	Crown wheel	011527	Lower hole jewel for 3rd wheel
284170	Intermediate ratchet wheel	011528	Upper hole jewel for 4th wheel
285170	Ratchet wheel	011523	Lower hole jewel for 4th wheel
301170	Jewelled pallet fork & staff	011505	Upper hole jewel for pallet
310170	Balance complete with stud	011505	Lower hole jewel for pallet
315251	Balance staff	013006	Tube for balance cock screw
331250	Roller with jewel	013007	Tube for bridge screw
341170	Regulator	013008	Tube for pallet cock screw
345170	Stud holder		
351170	Winding stem		
372170	Joint stem (movement portion)		
373250	Joint stem (case portion)		
381170	Click		
382170	Click spring		
383170	Setting lever		
384170	Yoke (Clutch lever)		
385170	Yoke spring (Clutch lever spring)		
386170	Setting lever spring (Set bridge)		
389170	Setting lever axle spring		
390170	Setting lever axle		
401172	Mainspring (self-greasing)		
481170	Crown wheel ring		
481170	Intermediate ratchet wheel ring		
491180	Dial washer		
☆492170	Balance cock washer		
☆492171			
☆492172			
014413	Diashock upper frame		
014414	Diashock lower frame		
014415	Diashock hole jewel with frame		
011212	Diashock cap jewel		
014417	Diashock spring		
015531	Diafix upper hole jewel with frame for escape wheel		
015531	Diafix lower hole jewel with frame for escape wheel		

Remarks:

Balance cock washer ----- Please measure the thickness -----

☆492170 0.035mm thickness
 ☆492171 0.055mm thickness
 ☆492172 0.072mm thickness

(Revised)

Calibre No. 17A		Jewels 17j	Style Name	
⇒ Basic Calibre 17A 20J Catalog No. 17-00-1				
 <p>Cal. 17A</p>		Characteristics Casing diameter: 13.50 ϕ mm Maximum height: 3.20 mm Vibrations per hour: 21,600 Non-automatic "Diashock" Shock Resistant Device		
 121171	 251171	 270170 (1.95mm)  270171 (2.45mm)	 271170 (1.17mm)  271171 (1.67mm)	 433110

Catalog No. 17-00-2

Calibre No. 17A		Jewels 17j	Style Name	
⇒ Basic Calibre 17A 20J Catalog No. 17-00-1				
PART NO.	PART NAME	PART NO.	PART NAME	
111170	Barrel bridge	014417	Diashock spring	
121171	Train-wheel bridge	012107	Dial screw	
161170	Pallet cock	012121	Stud screw	
171170	Balance cock	012274	Pallet cock screw	
205170	Complete barrel with arbor	012274	Bridge screw	
213170	Barrel arbor	012418	Screw for intermediate ratchet wheel	
221170	Large driving wheel & pinion (off center)	012510	Crown wheel screw	
231170	Third wheel & pinion	012510	Ratchet wheel screw	
241170	Fourth wheel & pinion	012668	Click screw	
251171	Escape wheel & pinion	012727	Setting lever spring screw	
261170	Minute wheel	012737	Setting lever axle spring screw	
270170	Center minute wheel with cannon pinion	011536	Upper hole jewel for large driving wheel & pinion	
270171		011536	Lower hole jewel for large driving wheel & pinion	
271170	Hour wheel	011542	Upper hole jewel for 3rd wheel	
271171		011527	Lower hole jewel for 3rd wheel	
281170	Setting wheel	011528	Upper hole jewel for 4th wheel	
282170	Clutch wheel	011523	Lower hole jewel for 4th wheel	
283170	Winding pinion	011505	Upper hole jewel for pallet	
284170	Crown wheel	011505	Lower hole jewel for pallet	
284170	Intermediate ratchet wheel	013006	Tube for balance cock screw	
285170	Ratchet wheel	013007	Tube for bridge screw	
301170	Jewelled pallet fork & staff	013008	Tube for pallet cock screw	
310170	Balance complete with stud			
315251	Balance staff			
331250	Roller with jewel			
341170	Regulator			
345170	Stud holder			
351170	Winding stem			
372170	Joint stem (movement portion)			
373250	Joint stem (case portion)			
381170	Click			
382170	Click spring			
383170	Setting lever			
384170	Yoke (Clutch lever)			
385170	Yoke spring (Clutch lever spring)			
386170	Setting lever spring (Set bridge)			
389170	Setting lever axle spring			
390170	Setting lever axle			
401172	Mainspring (self-greasing)			
433110	Upper hole jewel with frame for escape wheel			
433110	Lower hole jewel with frame for escape wheel			
481170	Crown wheel ring			
481170	Intermediate ratchet wheel ring			
491180	Dial washer			
☆492170	Balance cock washer			
☆492171				
☆492172				
014413	Diashock upper frame			
014414	Diashock lower frame			
014415	Diashock hole jewel with frame			
011212	Diashock cap jewel			
Remarks : Balance cock washer ————— Please measure the thickness ————— ☆ 492170 0.035 mm thickness ☆ 492171 0.055 mm thickness ☆ 492172 0.072 mm thickness				

☆ ⇒ Please see remarks.

Items in light letters are not shown in photos; those parts are interchangeable with the basic calibre (Cal. No. 17A 20J Catalog No. 17-00-1 Red page).

As for all other parts not shown here, please refer to the basic calibre (Cal. No. 17A 20J Catalog No. 17-00-1 Red page)

1) Specifications

Casing diameter	13.50mm
Height	3.20mm
Vibrations per hour	21,600
Movable stud holder (for correcting out-of-beat)	

2) Features

By adopting a special train wheel which effectively utilizes a narrow space, a large barrel and a balance are built in. Therefore, in spite of its very small size, it offers stabilized performance, comparable to larger models. Since winding hairspring direction has been improved to be wound to the left, a posture difference of the watch movement which generates while worn on the wrist is reduced.

Adoption of a bridge-type-balance cock and pallet cock, considered rather difficult to integrate in small watches, raises accuracy of the escapement and governor mechanism.

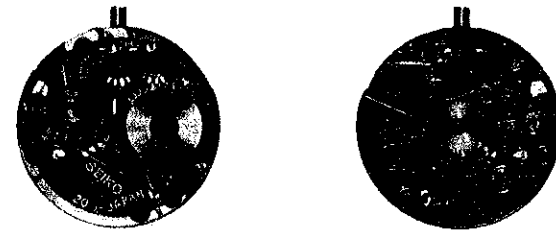
To maintain an excellent running condition of this small-scaled, highly accurate lady's watch, a dustproof intermediate case is provided inside the two-piece case.

3) Disassembly and assembly

Disassemble the watch according to Figs. ① - ④⑧.

Assemble by reversing the above by Figs. ④⑧ - ①.

④⑧ - ①.



Enlarged movement

4) Lubrication

Colored symbols in the illustrated figures indicate the types of oil, its quantities to be applied, and lubricating points.

Types

- ▶ Moebius Synt-A-Lube
- ▶ Seiko watch oil S-4

Oil quantity

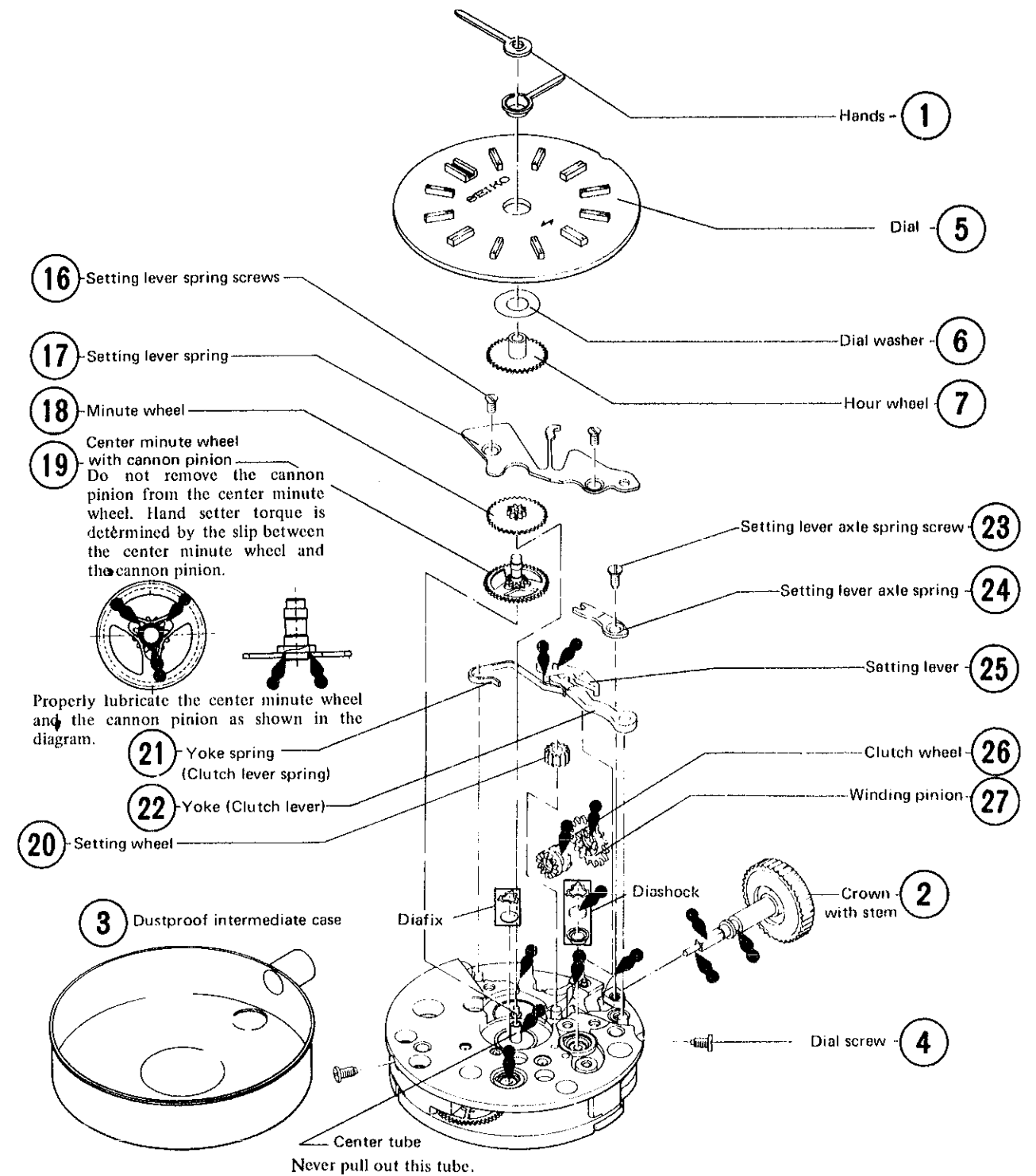
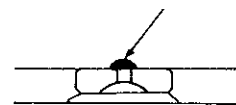
- Sufficient quantity
- Normal quantity
- Extremely small quantity

Note:

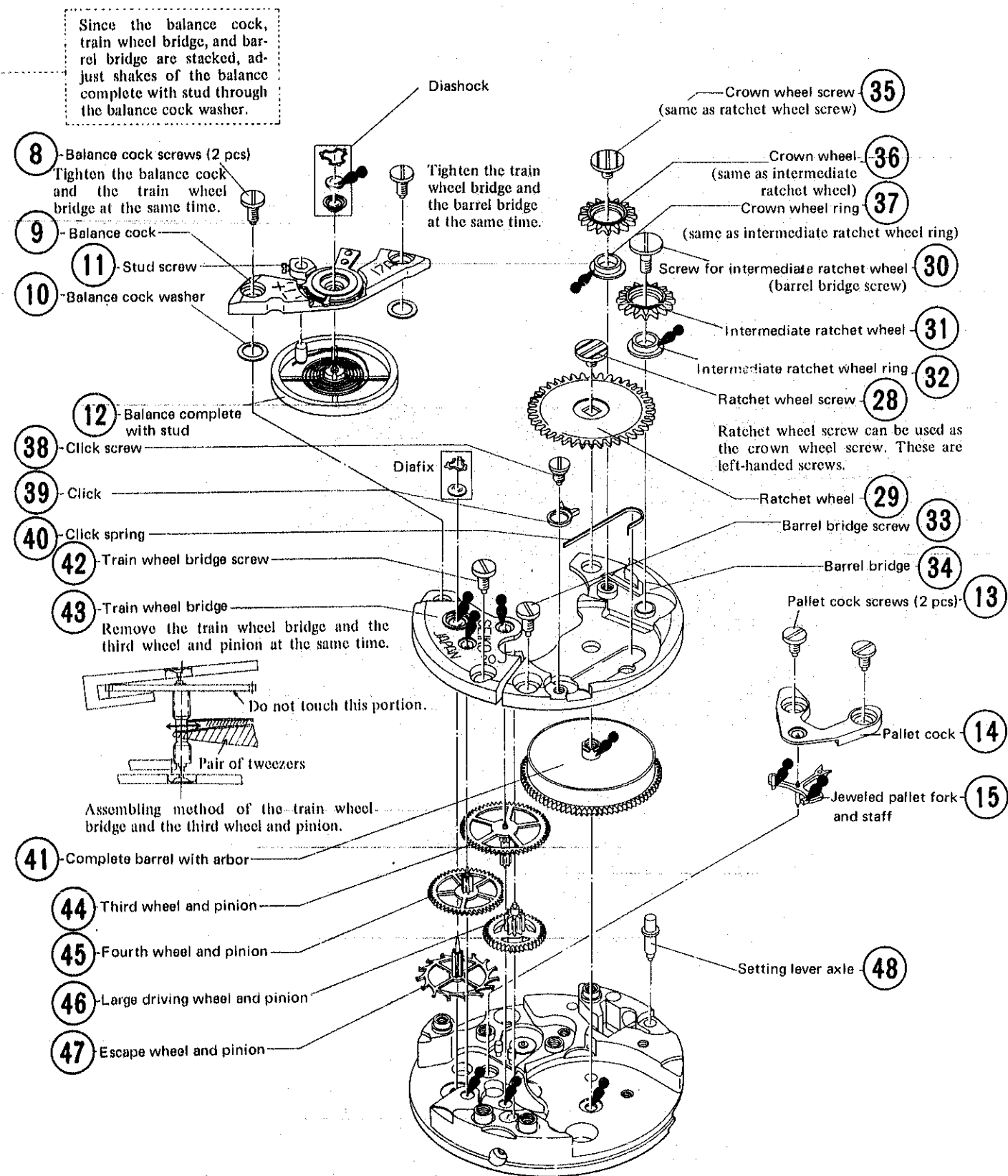
Refrain from lubricating points not so indicated.

Lubrication of SEIKO Watch Oil S-4

Lubricate the pivot holes of the front train wheel such as the plates, bridges etc. with SEIKO Watch Oil S-4 on the side in which the pivots are inserted as shown in the diagram.



17 A Train Wheel, Escapement and Governor Mechanism



17 A

5) Construction

5.-1 Special train wheel

By adopting a new, special train wheel, the 17 QUEEN SEIKO has a very large barrel and balance; consequently, the large driving wheel and pinion is located eccentrically from the center of the movement. The cannon pinion (to which the minute hand is inserted) is attached to the center minute wheel, and the center minute wheel is assembled to the center tube which is set on the rear surface of the plate. Consequently, the process of power transmission is as follows:
Complete barrel with arbor → Large driving wheel → Center minute wheel → Hour wheel

The process of power transmission for the front train wheel is the same as a conventional system. (Fig. 1)

5.-2 Center minute wheel with cannon pinion

Different from a conventional system, the cannon pinion is set to the toothed minute wheel by elastic portions of three supports of the toothed minute wheel. When turning the hands, these three elastic portions slip and the cannon pinion is turned. As a result, slipping torque is extremely stabilized so that it becomes unnecessary to adjust the torque. (Fig. 2)

5.-3 Pull-out mechanism for crown with stem

This is a substitutional mechanism for the conventional joint stem. As shown in the diagram, when depressing tail A of the setting lever, the B portion is raised with C as a supporting point and permit attaching and detaching the crown with stem. Also the crown with stem can be detached by depressing the setting lever axle from the case back. (Fig. 3)

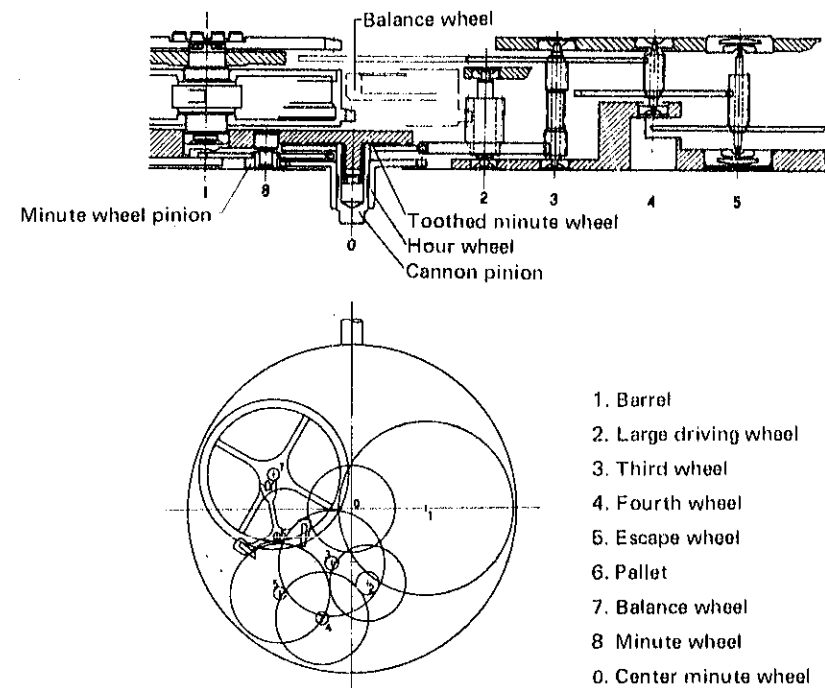


Fig. 1

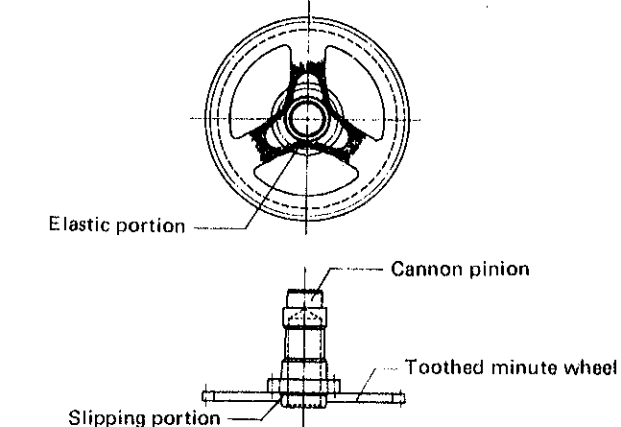


Fig. 2

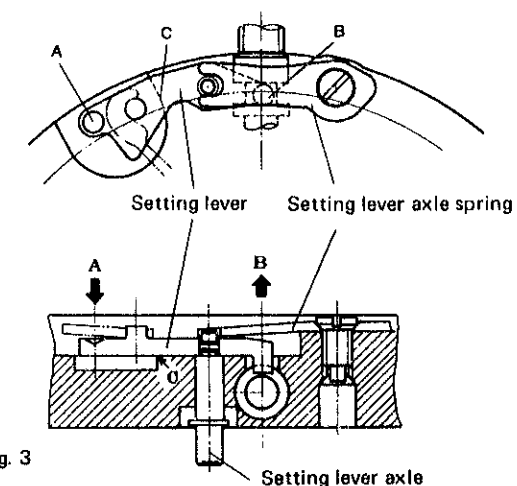


Fig. 3