

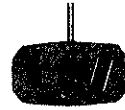
**LASSALE**

**QUARTZ**

**Cal. 2E50A**

**PARTS  
CATALOGUE**

# Cal. 2E50A



125 042



141 202



231 202



241 202



261 202



☆270 202



☆271 202



281 202



282 202



☆351 205



383 202



384 202



388 202



491 202



493 201



4000 208



4002 202



4146 202



4219 210



4239 202



4270 210



4408 208



4408 209



4408 210



4450 202



4457 081



☆SEIKO TR521SW



012 038



012 792



012 824



017 779



032 015



032 016



032 017



032 018

3/4

# Cal. 2E50A

## Characteristics

Casing diameter :  $\phi$  15.1 mm  
 Maximum height : 2.2 mm without battery  
 Jewels : 2 j  
 Frequency of quartz crystal oscillator : 32,768 Hz (Hz=Hertz . . . . Cycles per second)  
 Driving system : Step motor (2 poles)  
 Regulation system : Regulating switch lever  
 Train wheel setting

| PART NO.       | PART NAME                           | PART NO.   | PART NAME |
|----------------|-------------------------------------|------------|-----------|
| 125 042        | Train wheel bridge                  |            |           |
| 141 202        | Fourth wheel bridge                 |            |           |
| 231 202        | Third wheel & pinion                |            |           |
| 241 202        | Fourth wheel & pinion               |            |           |
| 261 202        | Minute wheel                        |            |           |
| ☆270 056       | Center minute wheel                 |            |           |
| ☆270 202       |                                     |            |           |
| ☆270 203       |                                     |            |           |
| ☆271 071       |                                     |            |           |
| ☆271 202       |                                     | Hour wheel |           |
| ☆271 203       | Setting wheel                       |            |           |
| 281 202        |                                     |            |           |
| 282 202        | Clutch wheel                        |            |           |
| ☆351 205       | Winding stem                        |            |           |
| ☆351 206       |                                     |            |           |
| ☆351 207       |                                     |            |           |
| ☆351 208       |                                     |            |           |
| 383 202        | Setting lever                       |            |           |
| 384 202        | Yoke                                |            |           |
| 388 202        | Setting lever spring                |            |           |
| 491 202        | Dial washer                         |            |           |
| 493 201        | Hour wheel ring (Thickness 0.03 mm) |            |           |
| 493 202        | Hour wheel ring (Thickness 0.05 mm) |            |           |
| 493 203        | Hour wheel ring (Thickness 0.07 mm) |            |           |
| 4000 208       | Circuit block                       |            |           |
| 4002 202       | Coil block                          |            |           |
| 4146 202       | Step rotor                          |            |           |
| 4219 210       | Battery connection insulator        |            |           |
| 4239 202       | Rotor stator                        |            |           |
| 4270 210       | Battery connection (-)              |            |           |
| 4408 208       | Circuit block spacer (A)            |            |           |
| 4408 209       | Circuit block spacer (B)            |            |           |
| 4408 210       | Battery connection (-) spacer       |            |           |
| 4450 202       | Regulating switch lever             |            |           |
| 4457 081       | Circuit block cover                 |            |           |
| 011 334        | Lower hole jewel for step rotor     |            |           |
| 011 566        | Upper hole jewel for step rotor     |            |           |
| 012 038        | Train wheel bridge screw            |            |           |
| 012 792        | Circuit block screw                 |            |           |
| 012 824        | Setting lever spring screw          |            |           |
| 017 779        | Lower bush for center minute wheel  |            |           |
| 032 015        | Tube for train wheel bridge (A)     |            |           |
| 032 016        | Tube for train wheel bridge (B)     |            |           |
| 032 017        | Tube for coil block                 |            |           |
| 032 018        | Tube for circuit block              |            |           |
| ☆SEIKO TR521SW | Battery                             |            |           |

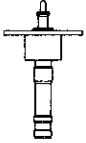

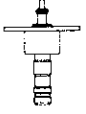

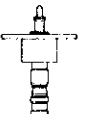

☆ ⇨ Please see remarks on the revers page.  
 Part numbers in light letters are not shown in photos.

# Cal. 2E50A

**Remarks :**

**Center minute wheel, Hour wheel**

There are three different types as specified below.  
Combination :

| Type | Center minute wheel   | Hour wheel  |
|------|---|---|
| a.   | <br>☆270 056   | <br>☆271 071   |
| b.   | <br>☆270 202   | <br>☆271 202   |
| c.   | <br>☆270 203 | <br>☆271 203 |

**Winding stem**

- ☆351 205 } Refer to the photograph on the front page.
- ☆351 206 } ..... If the combination of the winding stem and case is unknown, check the case number
- ☆351 207 } and refer to "SEIKO Quartz Casing Parts Catalogue" to choose a
- ☆351 208 } corresponding winding stem.

**Battery**

- ☆SEIKO TR521SW.....The substitute battery might be authorized in the future.  
In that case please refer to separate "BATTERY LIST FOR SEIKO QUARTZ WATCHES".