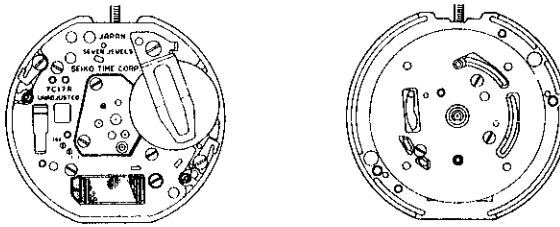


# PARTS CATALOGUE/ TECHNICAL GUIDE

## Cal. 7C17A

### [SPECIFICATIONS]

Item		Cal. No.	7C17A
Movement			 <p style="text-align: right;">(x 1.0)</p>
Movement size	Outside diameter	$\phi$ 28.6 mm 27.0 mm between 3 o'clock and 9 o'clock sides	
	Casing diameter	$\phi$ 27.0 mm 25.4 mm between 3 o'clock and 9 o'clock sides	
	Height	3.7 mm	
Time indication		2 hands	
Driving system		Step motor (Load compensated driving pulse type)	
Additional mechanism		Electronic circuit reset switch	
Loss/gain		Monthly rate at normal temperature range: less than 15 seconds	
Regulation system		Pattern cutting system	
Measuring gate by quartz tester		Use 10-second gate.	
Battery		SEIKO SR43SW, Maxell SR43SW, U.C.C. 301, SONY EVEREADY 301 Battery life is approximately 5 years. Voltage: 1.55V	
Jewels		7 jewels	

# PARTS CATALOGUE

Cal. 7C17A

Disassembling procedures Figs. : ① → ④③  
 Reassembling procedures Figs. : ④③ → ①

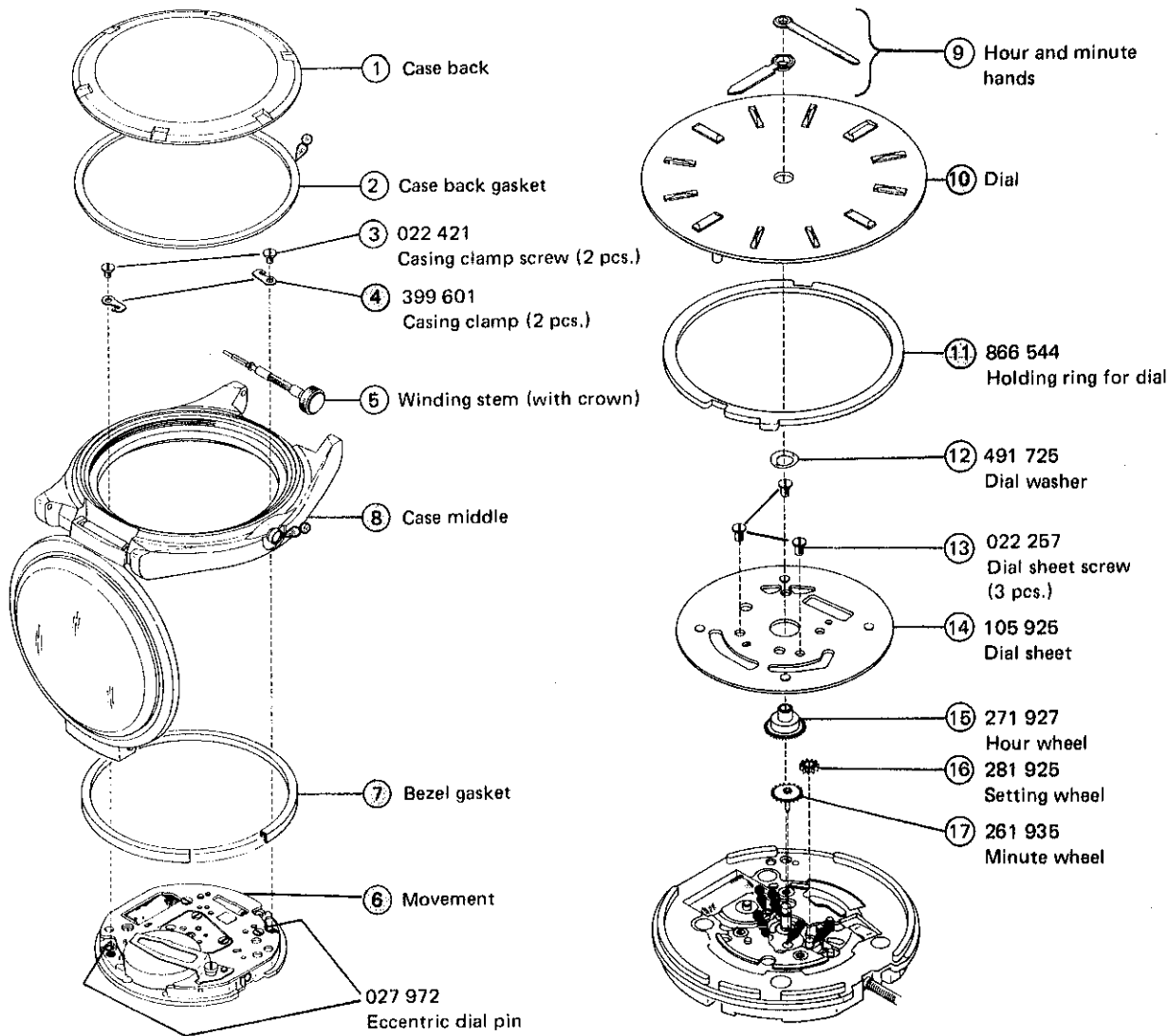
**Lubricating: Types of Oil**

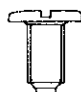
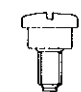
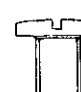

- Moebius A
- SEIKO Watch Oil S-6
- ⊖ Silicone grease 500,000 c.s.

**Oil quantity**

- Normal quantity

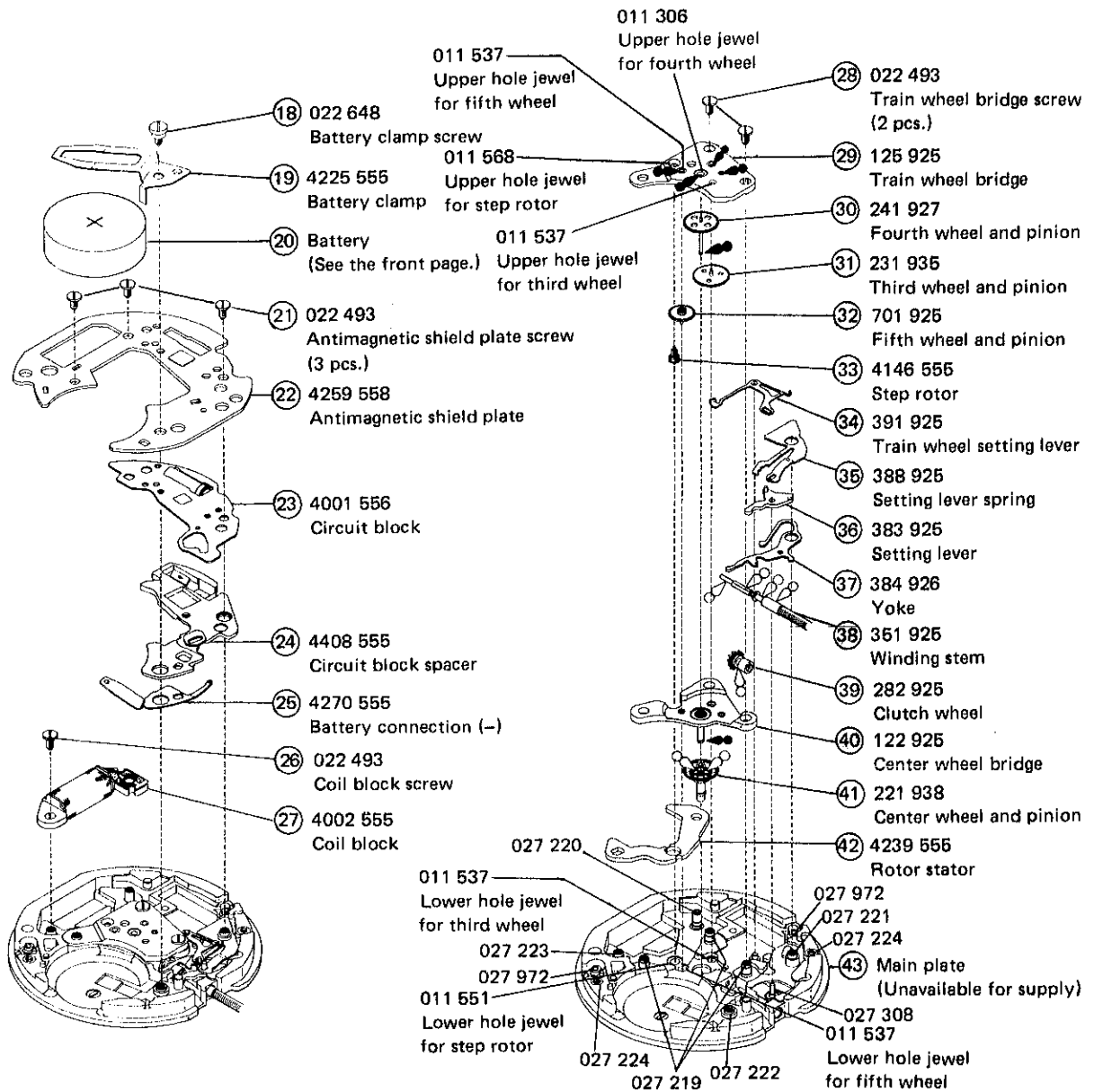
⊙ ⇒ Please see the remarks on the following pages.





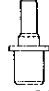
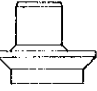




Coil block screw (1 pc.) Antimagnetic shield plate screw (3 pcs.) Train wheel bridge screw (2 pcs.)	Battery clamp screw (1 pc.)	Casing clamp screw (2 pcs.)	Dial sheet screw (3 pcs.)
			
022 493	022 648	022 421	022 257

# PARTS CATALOGUE

Cal. 7C17A



Tube for train wheel bridge	Tube for circuit block spacer A	Tube for circuit block spacer B	Tube for antimagnetic shield plate screw
			
027 219	027 220	027 221	027 222
Setting lever pin	Eccentric dial pin	Tube for casing clamp screw	Tube for coil block screw
			
027 308	027 972	027 224	027 223

## Remarks:

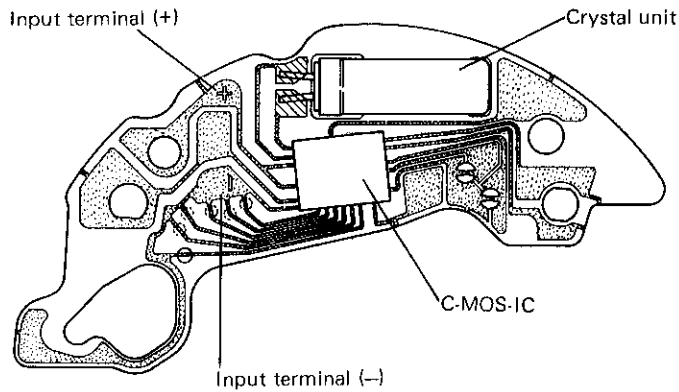
① Holding ring for dial      ③ Winding stem

The types of these parts depend on the design of each model.

Refer to "SEIKO Casing Parts Catalogue" to choose corresponding parts.

- The explanation here is only for the particular points of Cal. 7C17A.
- For the repairing, checking and measuring procedures, refer to the "TECHNICAL GUIDE, GENERAL INSTRUCTION".

## I. STRUCTURE OF THE CIRCUIT BLOCK

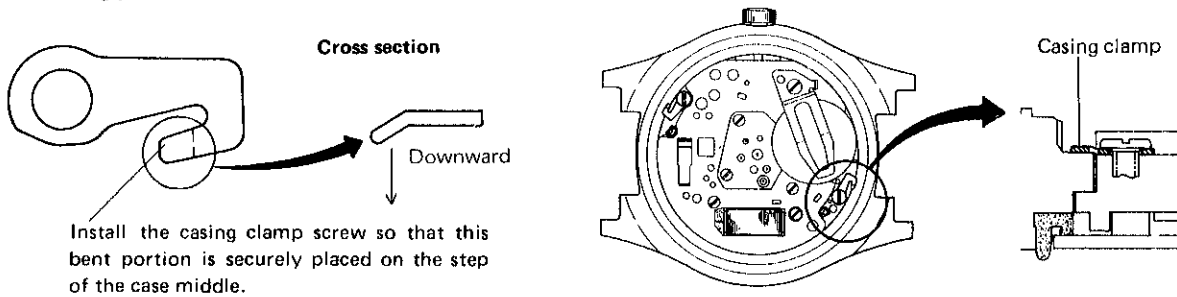


## II. REMARKS ON DISASSEMBLING AND REASSEMBLING

Use the universal movement holder for disassembling and reassembling.

### ④ Casing clamp

- **Setting position**



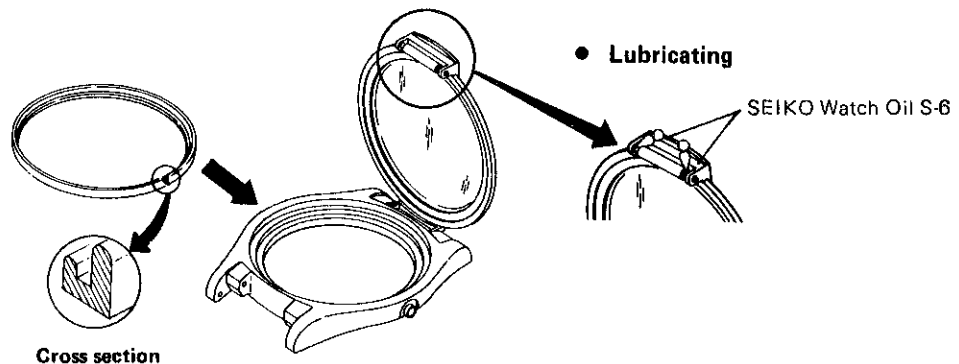
### ⑥ Movement

Remove the movement from the dial side.

### ⑦ Bezel gasket

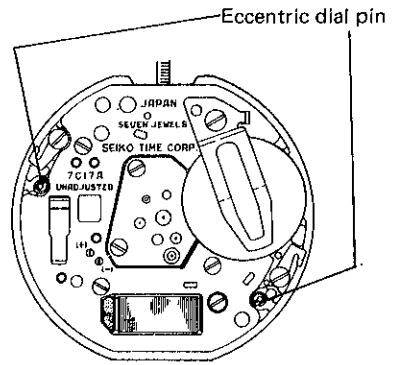
### ⑧ Case middle

- **Setting position**



## ⑩ Dial

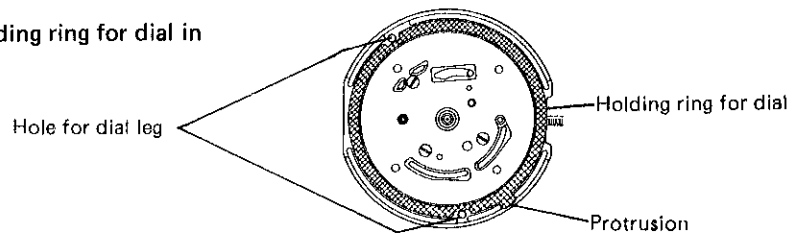
The dial legs (2 places) are fastened with the eccentric dial pins.



## ⑪ Holding ring for dial

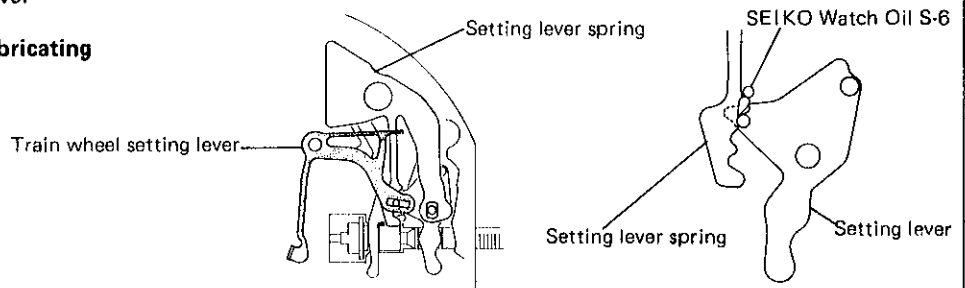
### ● Setting position

Be sure to set the protrusion of the holding ring for dial in place.



## ③④ Train wheel setting lever

### ● Setting position and lubricating



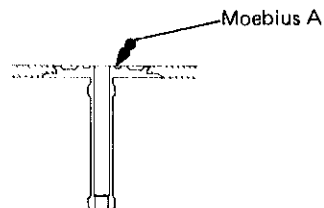
## ③⑧ Winding stem

### ● How to install

To prevent any crack onto the main plate, gently set the winding stem while turning it.

## ④⑩ Center wheel bridge

### Lubricating



### III. VALUE CHECKING

- Coil block resistance  
2.0KΩ ~ 2.5KΩ

- Current consumption

For the whole of the movement: less than 1.5μA  
For the circuit block alone: less than 0.3μA

**Remarks:**

When the current consumption exceeds the standard value for the whole of the movement but is less than the standard value for the circuit block alone, overhaul and clean the movement parts and then measure current consumption for the whole of the movement again. The driving pulse generated to compensate a heavy load that may apply on the gear train, etc. is considered to cause excessive current consumption for the whole of the movement.

- Time accuracy

To adjust time accuracy, cut the (+) or (-) pattern on the antimagnetic shield plate. It is recommended that the pattern be cut with the circuit block alone.

(-) pattern : to lose approximately 0.26 sec./day  
(+) pattern : to gain approximately 0.26 sec./day

**Note:** After cutting the pattern, remove the sludge completely.

