
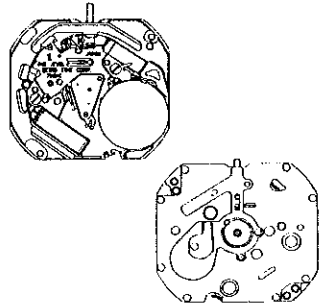


PARTS CATALOGUE/TECHNICAL GUIDE

Cal. 7N00C Cal. 7N01C Cal. 7N21C

[SPECIFICATIONS]

Item		Cal. No.	7N00C	7N01C	7N21C
Movement					
			The illustrations refer to Cal. 7N01C. (x 1.0)		(x 1.0)
Movement size	Outside diameter		ø18.1 mm 18.2 mm between 12 o'clock and 6 o'clock sides 15.3 mm between 3 o'clock and 9 o'clock sides		ø24.0 mm 21.5 mm between 12 o'clock and 6 o'clock sides 19.2 mm between 3 o'clock and 9 o'clock sides
	Casing diameter		ø18.1 mm 17.8 mm between 12 o'clock and 6 o'clock sides 15.3 mm between 3 o'clock and 9 o'clock sides		ø24.0 mm 21.5 mm between 12 o'clock and 6 o'clock sides 19.2 mm between 3 o'clock and 9 o'clock sides
	Height		2.1 mm		
Time indication			2 hands	3 hands	
Driving system			Step motor (Fixed-width pulse system)	Step motor (Load compensated driving pulse type)	
Additional mechanism			Train wheel setting device		
			Electronic circuit reset switch		
			—	Battery life indicator	
Loss/gain			Monthly rate at normal temperature range: less than 15 seconds		
Regulation system			Nil		
Measuring gate by quartz tester			Use 10-second gate.		
Battery			SEIKO SR616SW, Maxell SR616SW, SONY SR616SW, Matsushita SR616SW Battery life is approximately 5 years. Voltage: 1.55V	SEIKO SR621SW, Maxell SR621SW, SONY SR621SW, Matsushita SR621SW, EVEREADY 364 Battery life is approximately 2 years. Voltage: 1.55V	SEIKO SR920SW, Maxell SR920SW, SONY SR920SW, Matsushita SR920SW, EVEREADY 371 Battery life is approximately 5 years. Voltage: 1.55V
Jewels			0 jewel		1 jewel

PARTS CATALOGUE

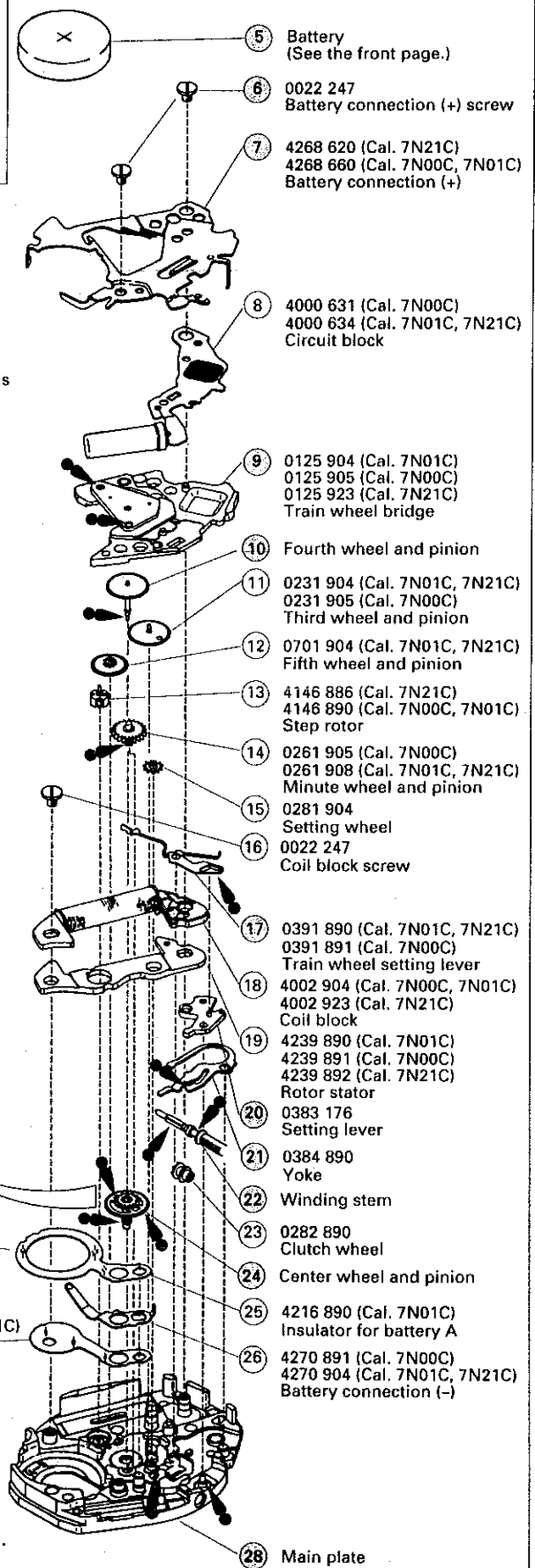
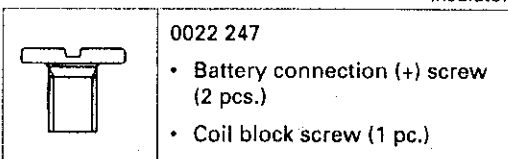
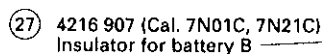
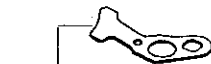
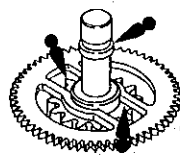
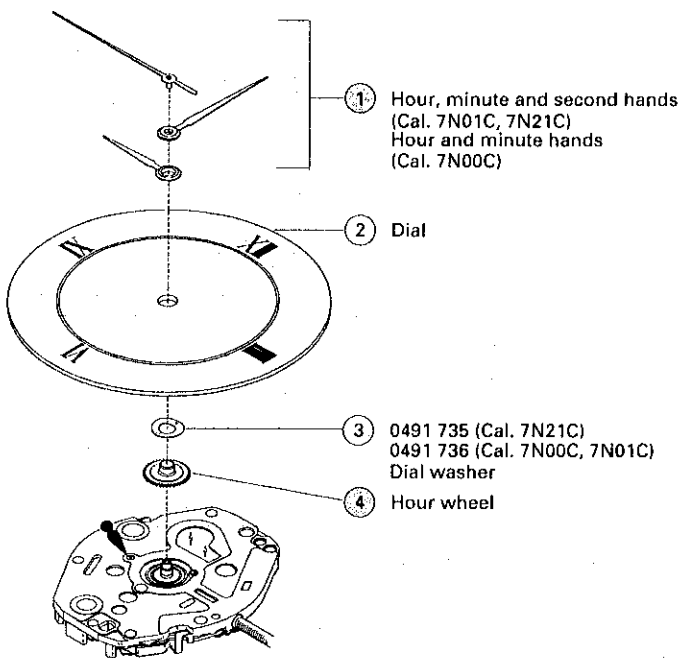
Cal. 7N00C, 7N01C, 7N21C

Disassembling procedures Figs. : ① → ②⑧
 Reassembling procedures Figs. : ②⑧ → ①

Lubricating: Types of oil **Oil quantity**

● Moebius A ○ Normal quantity

Ex.: Cal. 7N01C



● → Please see the remarks on the following pages.

PARTS CATALOGUE

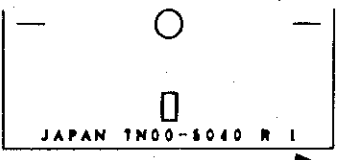
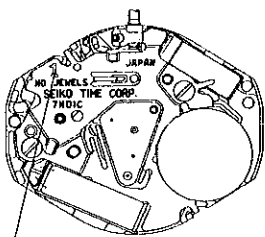
Cal. 7N00C, 7N01C, 7N21C

Remarks:

- ④ Hour wheel
- ⑩ Fourth wheel and pinion
- ⑳ Center wheel and pinion
- ㉘ Main plate

• **Discrimination of the hand installation height**

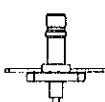


Cal. 7N series watches have numerals printed on the dial and the movement to indicate the hand installation heights. When repairing, refer to the table below.

Discrimination	Height	Short type	Standard type
	Numeral for discrimination	1	2
Printed on		Dial	Movement
Printed position		<p>Ex) Short type</p>  <p>The numeral is printed at the right end.</p>	<p>Ex) Short type</p>  <p>The numeral is printed above the calibre number.</p>

Combination:

* The hand installation heights can be discerned from the shape of the following parts. Refer to the table below.

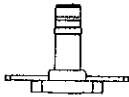
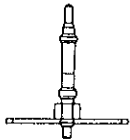

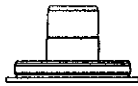
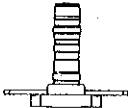
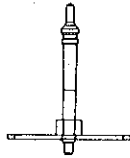


[Cal. 7N00C]

Numeral for discrimination	Center wheel and pinion	Hour wheel	Main plate (Center pipe)
1	 <p>0221 905</p>	 <p>0271 905</p>	 <p>0100 905</p>

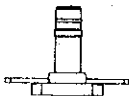
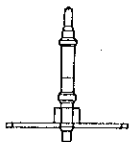


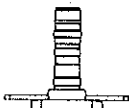
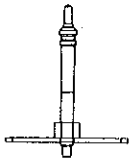


PARTS CATALOGUE

Cal. 7N00C, 7N01C, 7N21C

[Cal. 7N01C]

Numeral for discrimination	Center wheel and pinion	Fourth wheel and pinion	Hour wheel	Main plate (Center pipe)
1	 <p>0221 908</p>	 <p>0241 908</p>	 <p>0271 908</p>	 <p>0100 907</p>
2	 <p>0221 929</p>	 <p>0241 929</p>	 <p>0271 933</p>	 <p>0100 926</p>

[Cal. 7N21C]

Numeral for discrimination	Center wheel and pinion	Fourth wheel and pinion	Hour wheel	Main plate (Center pipe)
1	 <p>0221 908</p>	 <p>0241 908</p>	 <p>0271 908</p>	 <p>0100 932</p>
2	 <p>0221 929</p>	 <p>0241 929</p>	 <p>0271 933</p>	 <p>0100 947</p>

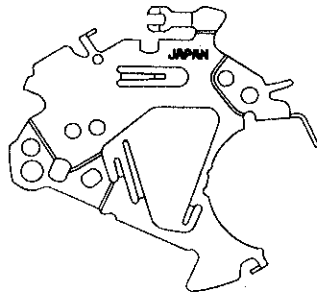
PARTS CATALOGUE

Cal. 7N00C, 7N01C, 7N21C

- ⑦ Battery connection (+) 4268 660 (7N00C, 7N01C)
4268 620 (7N21C)

Note: The battery connection (+) we are supplying has no calibre number nor numeral printed on it for discriminating the hand installation height.

4268 660



4268 620



- ②② Winding stem 0351 890

The type of winding stem is determined based on the design of cases.
Check the case number and refer to "SEIKO Casing Parts Catalogue" to choose a corresponding winding stem.

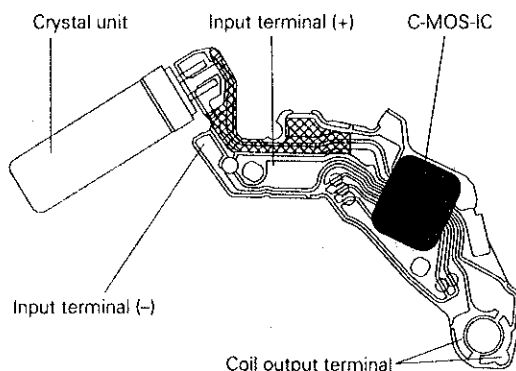
TECHNICAL GUIDE

Cal. 7N00C, 7N01C, 7N21C

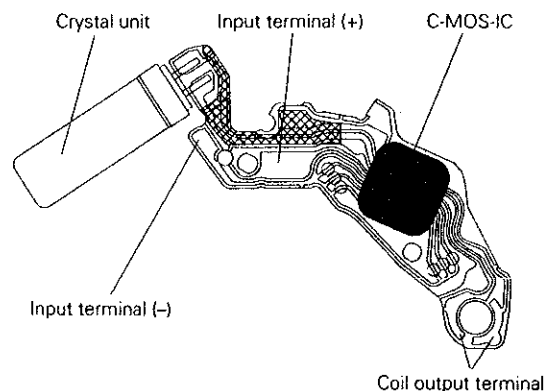
- The explanation here is only for the particular points of Cal. 7N00C, 7N01C and 7N21C.
- For repairing, checking and measuring procedures, refer to the "TECHNICAL GUIDE, GENERAL INSTRUCTIONS".

I. STRUCTURE OF THE CIRCUIT BLOCK

[Cal. 7N00C]



[Cal. 7N01C, 7N21C]



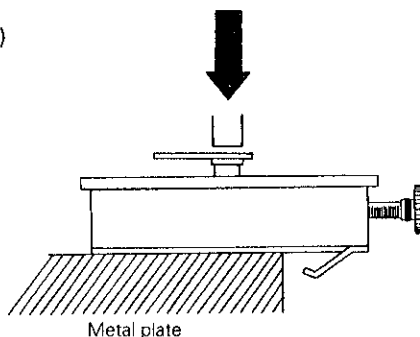
II. REMARKS ON DISASSEMBLING AND REASSEMBLING

Use the universal movement holder for disassembling and reassembling.

- ① Hour, minute and second hands (Cal. 7N01C, 7N21C)
Hour and minute hands (Cal. 7N00C)

• **How to install**

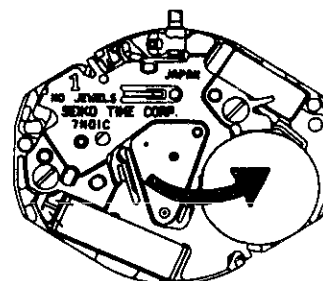
When installing the hands, remove the battery and place the movement directly on a flat metal plate or the like.



- ⑤ Battery

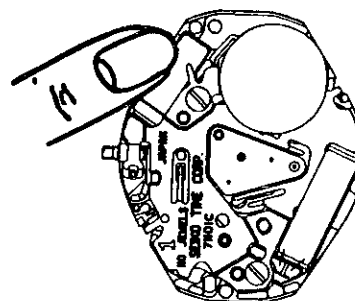
• **How to install**

Insert the battery aslant from the direction shown by the arrow.



- ⑥ Battery connection (+) screw

Fasten the screw on the crystal unit side while holding down the edge of the crystal unit.

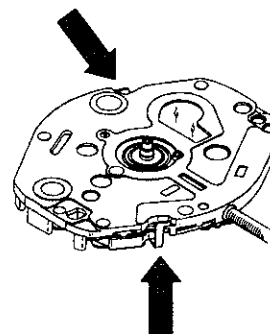


- ⑦ Battery connection (+)

• **How to install**

Have the hooking portion (2 places) catch the main plate.

- Notes:**
1. In disassembling and reassembling, take care not to deform the hooking portions.
 2. After installing the battery connection (+), check that the two hooking portions securely catch the main plate.



TECHNICAL GUIDE

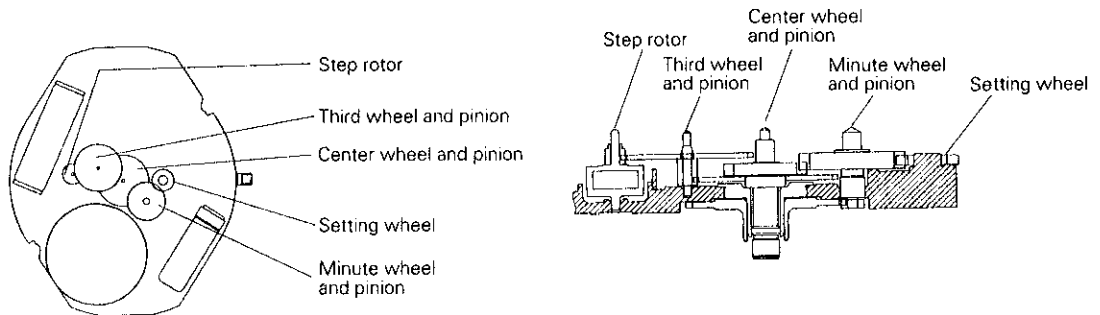
Cal. 7N00C, 7N01C, 7N21C

9 Train wheel bridge

• Setting position

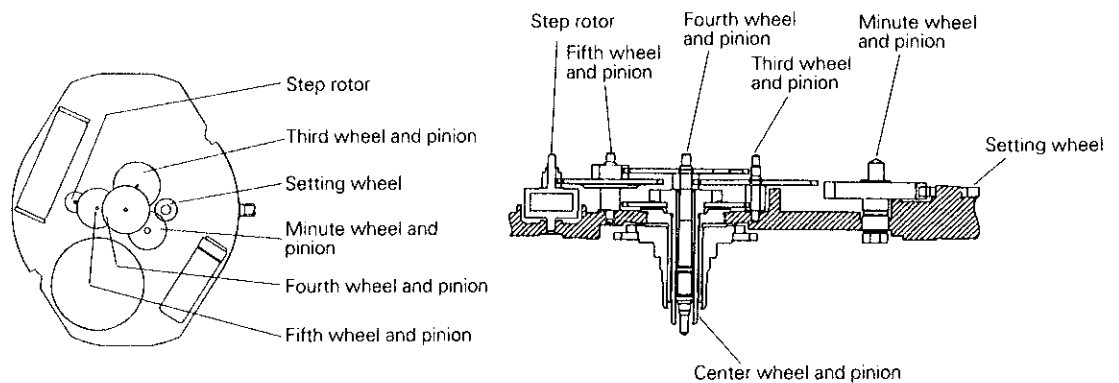
Refer to the illustrations below.

[Cal. 7N00C]



Note: Since the step rotor is made of plastics, take care not to damage it in disassembling and reassembling.

[Cal. 7N01C, 7N21C]



Note: Since the fifth wheel and pinion and step rotor are made of plastics, take care not to damage them in disassembling and reassembling.

⑰ Train wheel setting lever

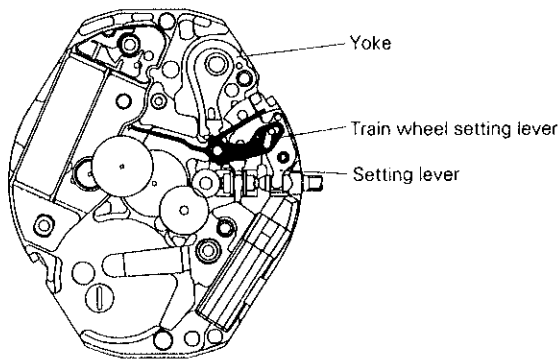
⑳ Setting lever

㉑ Yoke

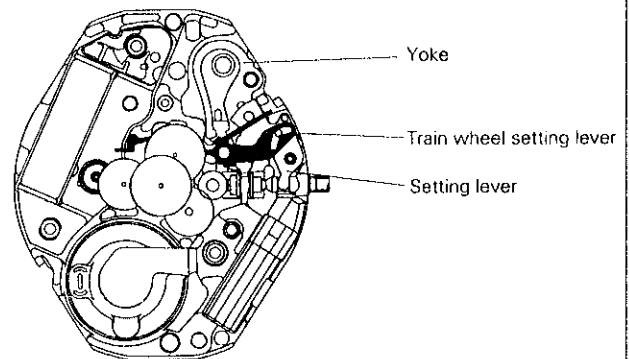
• **Setting position**

Refer to the illustrations below.

[Cal. 7N00C]



[Cal. 7N01C, 7N21C]



Note: Take care not to deform the spring portion of the yoke.

III. VALUE CHECKING

Cal. No.		7N00C	7N01C	7N21C
Coil block resistance		0.90K Ω ~ 1.30K Ω		1.18K Ω ~ 1.58K Ω
Current consumption	For the whole movement	less than 0.50 μ A	less than 1.40 μ A	less than 1.20 μ A
	For the circuit block alone	less than 0.28 μ A		

Remarks on Cal. 7N01C and 7N21C:

When the current consumption exceeds the standard value for the whole movement but is within the standard value range for the circuit block alone, the watch is generating a driving pulse to compensate for the heavy load that may be applied to the gear train, etc.

In this case, overhaul and clean the movement parts and then measure current consumption for the whole movement again.