
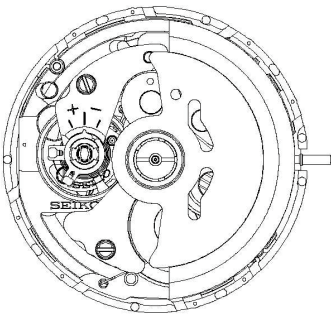
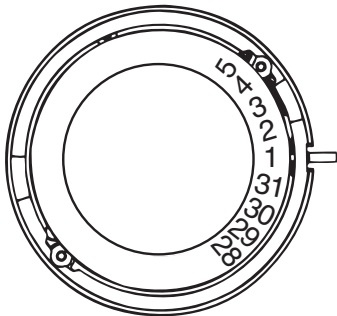


# PARTS LIST/TECHNICAL GUIDE

## Cal. 7S26C/7S36C

### [SPECIFICATIONS]

| Item  | Cal. No.           | 7S26C  | 7S36C  |
|---|--------------------|--|--|
|    |                    |  |  |
|   |                    | <ul style="list-style-type: none"> <li>• 3 hands (hour, minute and second hands)</li> <li>• Date indication</li> <li>• Day indication</li> </ul> | <p>Movement size</p> <ul style="list-style-type: none"> <li>• Diameter      Outside:    Ø 27.4 mm<br/>                          Casing:    Ø 27.0 mm</li> <li>• Height:            4.9 mm</li> </ul> |
| <b>Driving system</b>   |                    | Automatic winding mechanism  |  |
| <b>Time indication</b>  |                    | <ul style="list-style-type: none"> <li>● 3 hands (hour, minute and second hands)</li> <li>● Date Indicator</li> <li>● Day Indicator</li> </ul>   |  |
| <b>Additional function</b>  |                    | <ul style="list-style-type: none"> <li>● Date correction function</li> <li>● Day correction function</li> </ul>                                  |  |
| <b>Crown operation</b>  | Normal position    | -  |  |
|   | 1st click position | Date setting (counterclockwise)<br>Day setting (clockwise)   |  |
|   | 2nd click position | Time setting (Hour and minute)   |  |
| <b>Vibration per hour</b>   |                    | 21,600 Hz/hour (6 beats per second)  |  |
| <b>Regulation system</b>  |                    | ETACHRON system  |  |
| <b>Lift angle of the escapement</b>   |                    | 53 °   |  |
| <b>Power reserve</b>  |                    | From fully wound to stoppage: Approximately 41 hours   |  |
| <b>Number of jewels</b>   |                    | 21 JEWELS  | 23 JEWELS  |

SEIKO WATCH CORPORATION

# PARTS LIST

Cal. 7S26C, 7S36C

## FEATURES

SEIKO Automatic Mechanical Cal. 7S26C / 7S36C are replacement caliber of Cal. 7S26B / 7S36B.

Construction of the C series is same as B series, but using new parts. Since the size of movement is same as B series, the complete movement can be assembled into the watches which originally have the B series movement; however, as the parts are not convertible, please use the appropriate parts for each caliber.

REMARKS: Parts Differences Between B series and C series


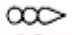





|    | Parts Name  | 7S26B   | 7S36B   | 7S26C   | 7S36C   |
|----|---|---------|---------|---------|---------|
| 7  | DATE DIAL GUARD SCREW                                 | 0016705 |         | 0012354 |         |
| 8  | DATE DIAL GUARD                                       | 0808300 |         | 0808310 |         |
| 10 | DATE JUMPER   | 0810030 |         | 0810183 |         |
| 11 | DAY-DATE CORRECTOR<br>SETTING WHEEL                   | 0737300 |         | 0737183 |         |
| 12 | HOUR WHEEL  | 0271483 |         | 0273183 |         |
| 14 | DATE DRIVING WHEEL                                    | 0802300 |         | 0802183 |         |
| 15 | MINUTE WHEEL AND<br>PINION                            | 0261006 |         | 0261183 |         |
| 16 | CANNON PINION   | 0225005 |         | 0225414 |         |
| 18 | SCREW FOR LOWER<br>BRIDGE FOR 3RD WHEEL<br>AND PINION | -       | 0012420 | -       | 0012485 |
| 19 | LOWER BRIDGE FOR 3RD<br>WHEEL AND PINION              | -       | 0436300 | -       | 0436183 |
| 20 | OSCILLATING WEIGHT                                    | 0509184 | 0509195 | 0509372 | 0509378 |
| 24 | BALANCE COCK  | 0171197 |         | 0171355 |         |
| 30 | RATCHET WHEEL   | 0285013 |         | 0285051 |         |
| 32 | BARREL AND TRAIN<br>WHEEL BRIDGE                      | 0112400 |         | 0114178 |         |
| 36 | FIRST REDUCTION WHEEL                                 | 0511006 |         | 0511010 |         |
| 37 | PAWL LEVER  | 0831004 |         | 0831183 |         |
| 40 | BARREL COMPLETE                                       | 0201075 |         | 0201083 |         |
| 44 | CENTER WHEEL BRIDGE                                   | 0122300 |         | 0122302 |         |
| 45 | CENTER WHEEL AND<br>PINION                            | 0224075 |         | 0224183 |         |
| 47 | YOKE SPRING   | 0388070 |         | 0388177 |         |
| 49 | SETTING LEVER   | 0383070 |         | 0388178 |         |
| 50 | CLUTCH WHEEL  | 0282070 |         | 0282183 |         |

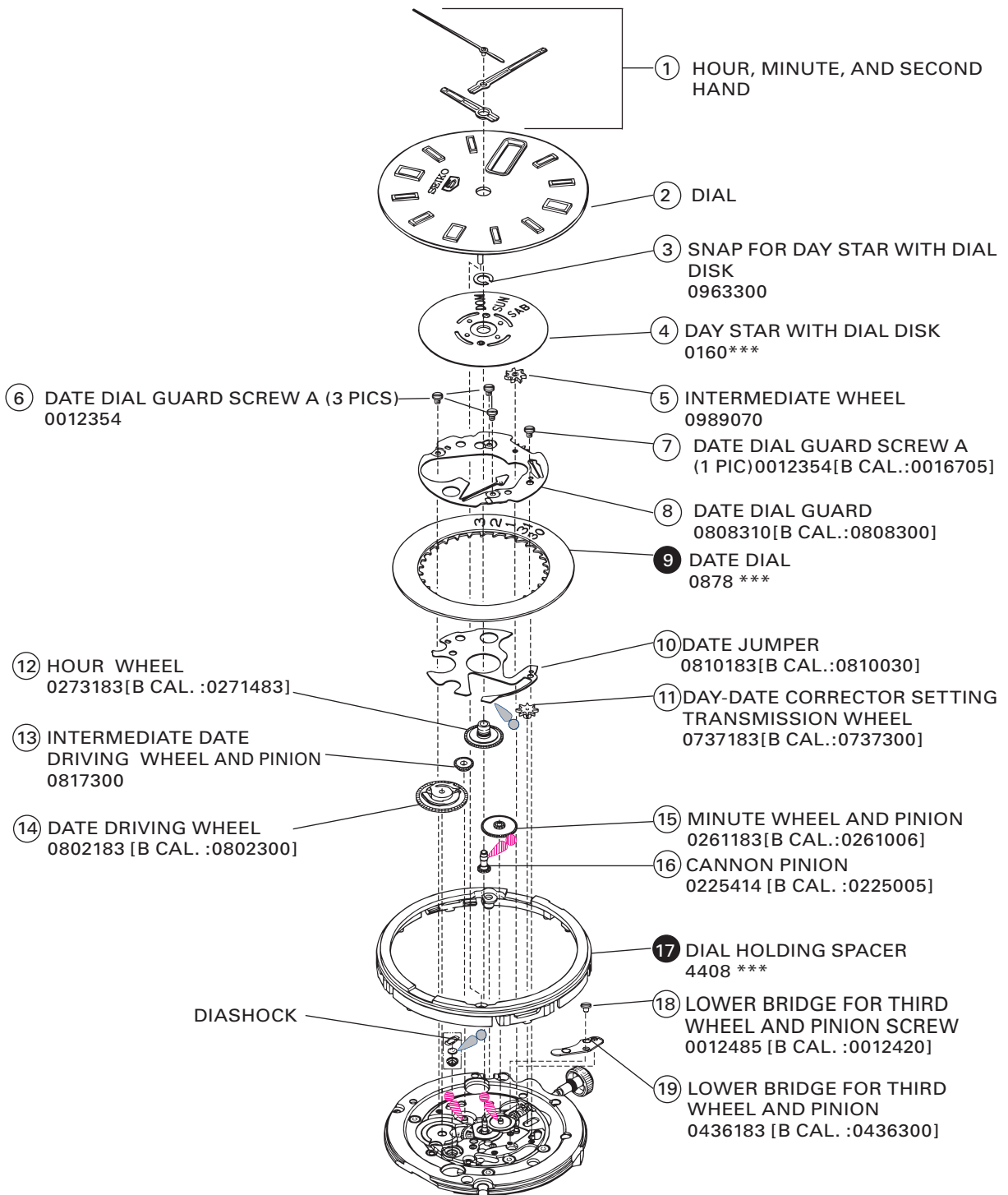
# PARTS LIST

Cal. 7S26C, 7S36C

DISASSEMBLING PROCEDURES FIGS.: ① → ⑤②  
 REASSEMBLING PROCEDURES FIGS.: ⑤② → ①

LUBRICATING: TYPES OF OIL

|   |                     |   |                  |
|---|---------------------|---|------------------|
|  | AO-3 (MOEBIUS A)    |  | OIL QUANTITY     |
|  | SEIKO WATCH OIL S-6 |  | LIBERAL QUANTITY |
|  | SEIKO WATCH OIL S-4 |  | NORMAL QUANTITY  |
|   |                     |  | SMALL QUANTITY   |



FOR PARTS ⑨ AND ⑰, REFER TO "PARTS USED DIFFER DEPENDING ON THE CASING MODEL" ON PAGE 8.

# PARTS LIST

Cal. 7S26C, 7S36C

20 OSCILLATING WEIGHT  
0509\*\*\*

23 BALANCE COCK SCREW  
0012420

24 BALANCE COCK  
0171355  
[B CAL. :0171197]

25-1 BALANCE COMPLETE  
(WITH STUD)  
0310197

26 PALLET COCK SCREW  
0012354

27 PALLET COCK  
0161300

28 PALLET FORK  
0301009

21 SECOND REDUCTION  
WHEEL AND PINION  
0012539

22 SECOND REDUCTION  
WHEEL AND PINION  
0514002

29 RATCHET WHEEL  
SCREW  
0012919

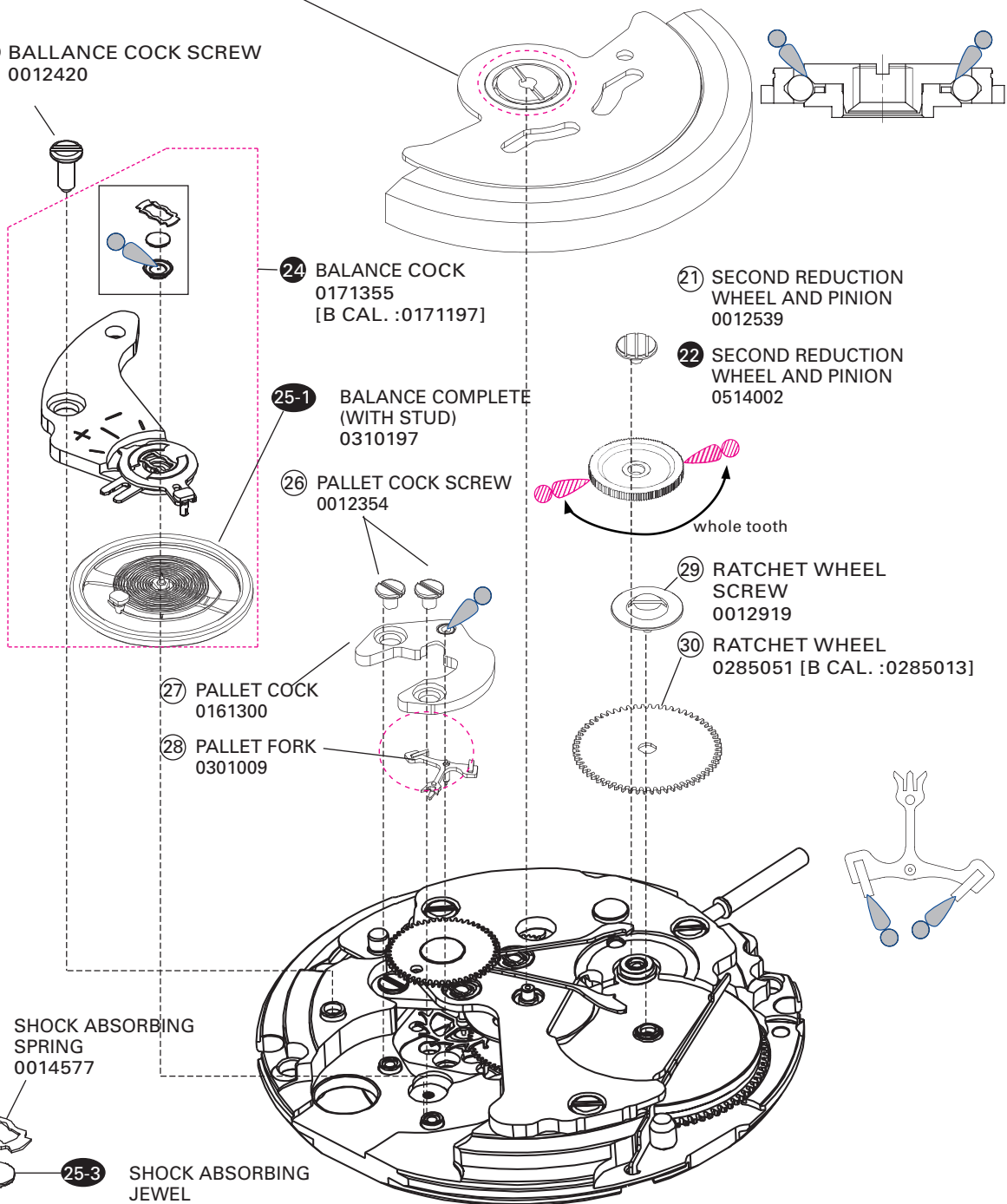
30 RATCHET WHEEL  
0285051 [B CAL. :0285013]

25-2 SHOCK ABSORBING  
SPRING  
0014577

25-3 SHOCK ABSORBING  
JEWEL  
0011220

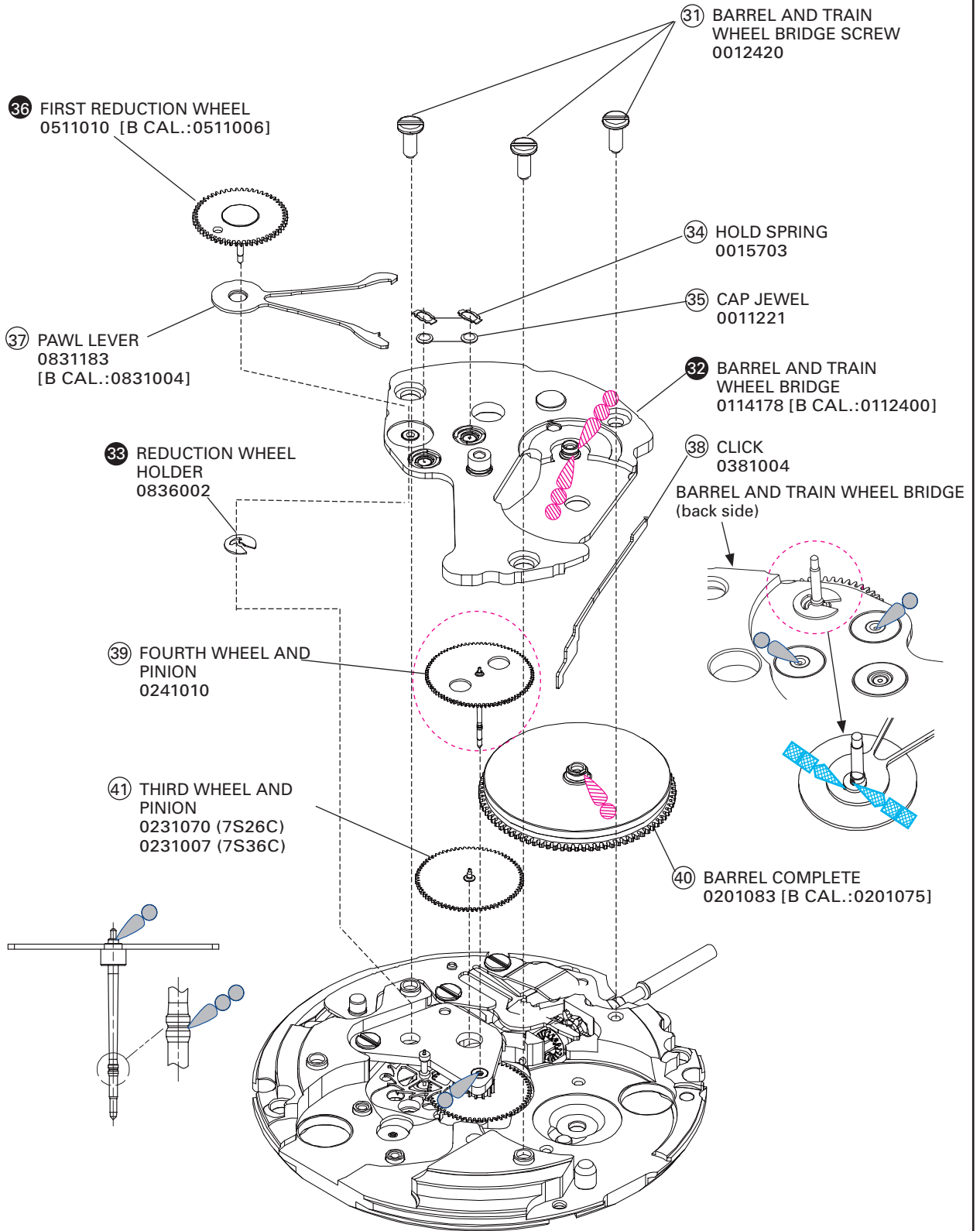
25-4 HOLE JEWEL FOR  
SHOCK ABSORBER  
0014295

For parts 20 and 20, refer to "REMARKS ON DISASSEMBLING AND REASSEMBLING" on page 9.  
For parts 23, 24, and 25, refer to "HOW TO REMOVE AND INSTALL THE BALANCE STAFF" on page 10.



# PARTS LIST

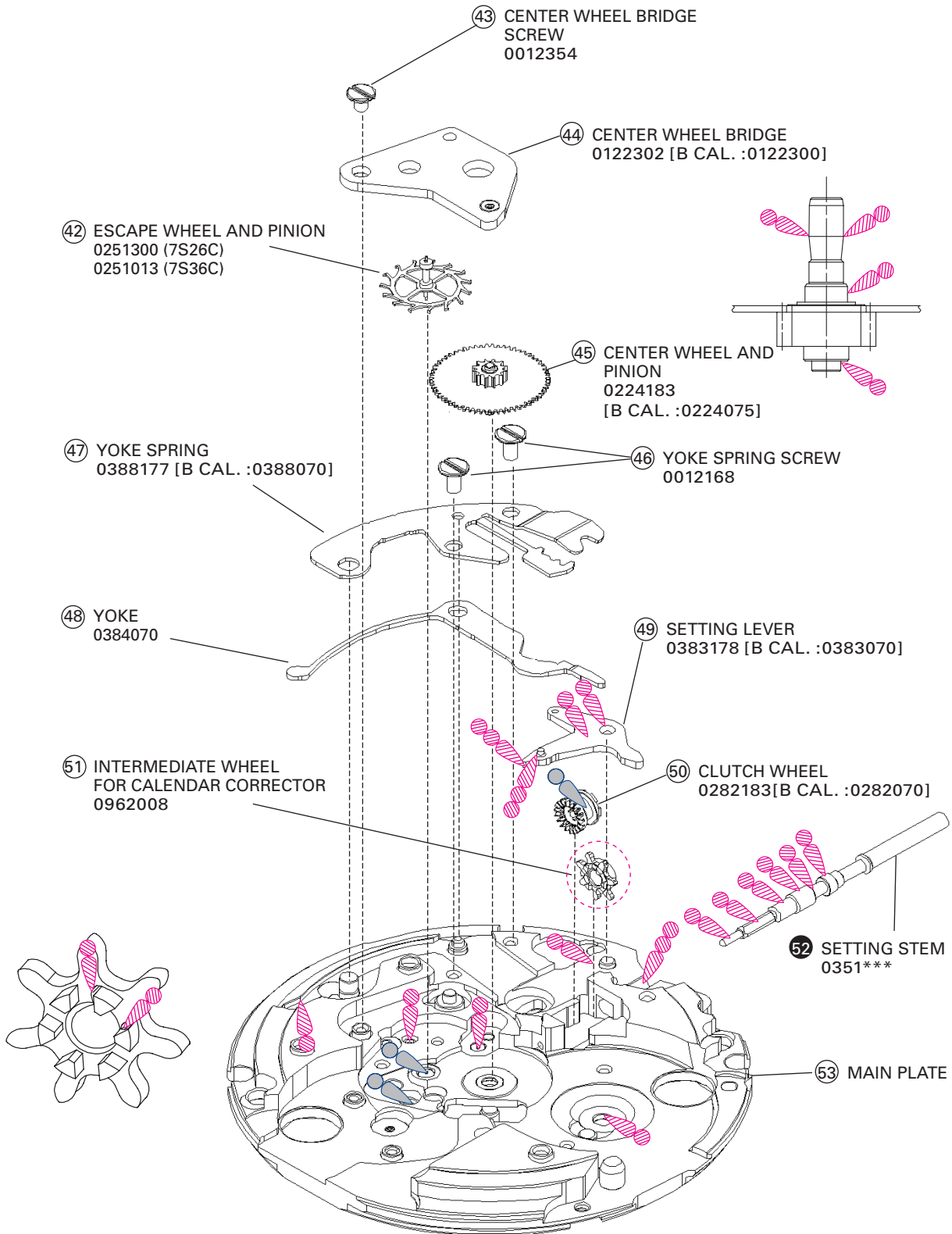
Cal. 7S26C, 7S36C



For parts 32, 33, and 36, refer to "HOW TO REMOVE AND INSTALL THE BALANCE STAFF" on page 9.

# PARTS LIST

Cal. 7S26C, 7S36C

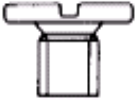


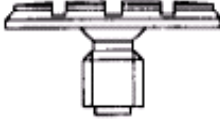
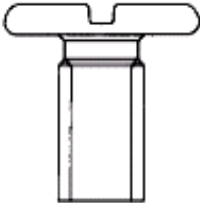


For parts 52 refer to "PARTS USED DIFFER DEPENDING ON THE CASING MODEL" on page 8.

# PARTS LIST

Cal. 7S26C, 7S36C

## SCREW PARTS

| Parts code  | Parts name   | Parts code   | Parts name                                 |
|---|--|--|--|
| <br>0012 354   | Center wheel bridge screw<br>Pallet cock screw<br>Date dial guard screw A  | <br>0012 919 | Ratchet wheel screw                        |
| <br>0012 420   | Balance cock screw<br>Barrel and train wheel<br>bridge screw<br>Lower bridge for third<br>wheel and pinion screw | <br>0012 539 | Second reduction wheel and<br>pinion screw |
| <br>0012 168 | Yoke spring screw  |  |  |

| PARTS NAME                             | PARTS CODE | PARTS NAME  | PARTS CODE |
|--|------------|---|------------|
| UPPER HOLE JEWEL FRAME FOR<br>DIASHOCK | 0014 295   | UPPER HOLE JEWEL FRAME FOR<br>THIRD WHEEL AND PINION  | 0015 701   |
| LOWER HOLE JEWEL FRAME FOR<br>DIASHOCK |            | UPPER HOLE JEWEL FRAME FOR<br>ESCAPE WHEEL AND PINION | 0015 711   |
| DIASHOCK UPPER FRAME                   | 0014 573   | UPPER SPRING FOR THIRD WHEEL<br>AND PINION            | 0015 703   |
| DIASHOCK LOWER FRAME                   | 0014 574   | UPPER SPRING FOR ESCAPE WHEEL<br>AND PINION           |            |
| DIASHOCK UPPER SPRING                  | 0014 577   | REGULATOR   | 0341 020   |
| DIASHOCK LOWER SPRING                  |            | STUD SUPPORT  | 0345 197   |

**PARTS USED DIFFER DEPENDING ON THE CASING MODEL**

**9 DATE DIAL**  
0878 \*\*\*

\*The date dial used differs depending on the casing model. Please refer to the SEIKO WATCH PARTS CATALOGUE in order to choose corresponding parts.

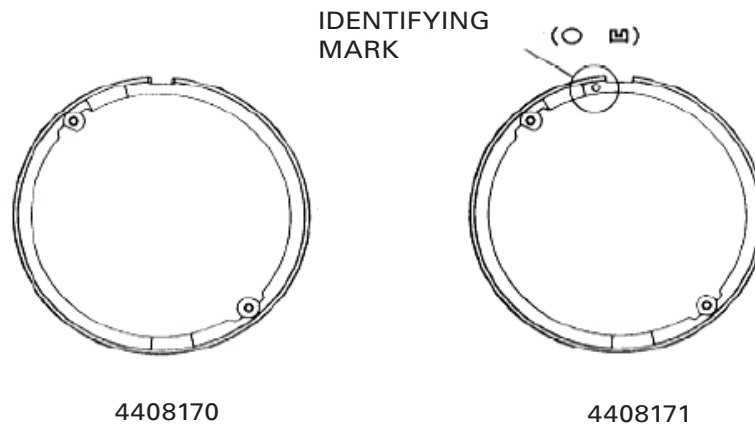
**Representative DATE DIAL example**

| Color of background | Color of figure | Caliber A, B | Caliber C |
|---------------------|-----------------|--------------|-----------|
| White               | Black           | 0878 280     | 0878 206  |
| Black               | White           | 0878 281     | 0878 207  |

Note: The DATE DIAL used for caliber A & B is not compatible with caliber C.  
Be sure to install the corresponding DATE DIAL.

**17 DIAL HOLDING SPACER**  
4408 \*\*\*

The dial holding spacer for a diver's watch has an identifying mark.



\* The dial holding spacer used differs depending on the casing model. Refer to "SEIKO Watch Parts Catalogue (SEIKO WATCH SERVICE SITE)."

**52 SETTING STEM**  
0351 \*\*\*

\* The setting stem used differs depending on the casing model. Refer to "SEIKO Watch Parts Catalogue (SEIKO WATCH SERVICE SITE)."

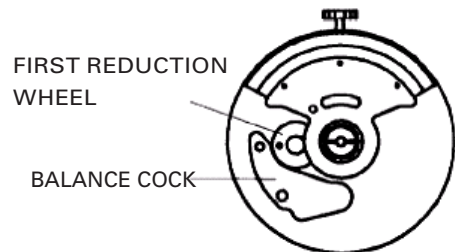


- The following description is only applicable to 7S caliber watches.

## I. REMARKS ON DISASSEMBLING AND REASSEMBLING

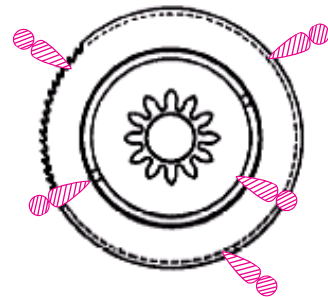
### 20 OSCILLATING WEIGHT (with ball bearing)

The inside screw can be found in the inside ring of the ball bearing. Use the big screwdriver to screw sufficiently tight. When setting the oscillating weight, align the hole of the first reduction wheel with the hole of the balance cock, and then set the oscillating weight by tightening the inside screw of the inside ring of the ball bearing (refer to the right figure).



### 22 SECOND REDUCTION WHEEL AND PINION

Lubricate the second reduction wheel and pinion (refer to the right figure).

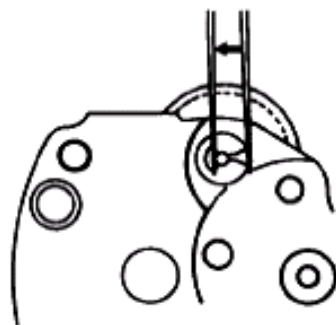


### 32 BARREL AND TRAIN WHEEL BRIDGE

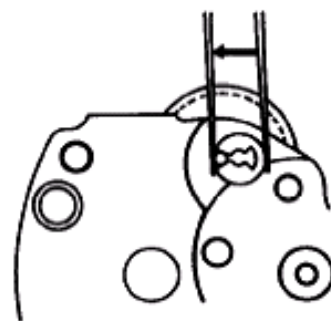
Before setting the barrel and train wheel bridge, set the first reduction wheel and arbor, pawl lever, and reduction wheel holder.

### 33 REDUCTION WHEEL HOLDER

How to disassemble

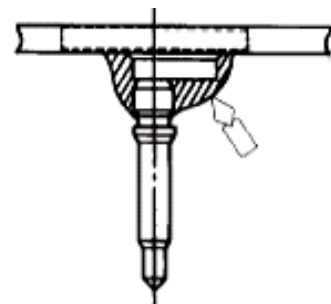


How to assemble



### 36 FIRST REDUCTION WHEEL

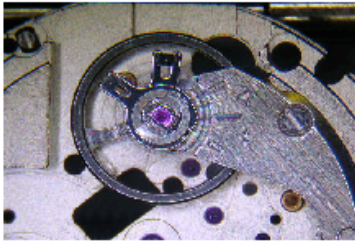
Liberaly lubricate the first reduction wheel (refer to the right figure).



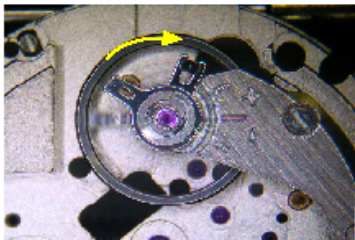
## :HOW TO REMOVE AND INSTALL THE BALANCE STAFF

### HOW TO REMOVE

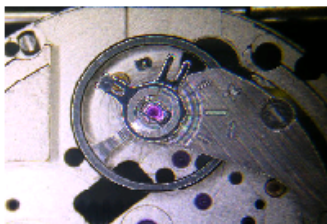
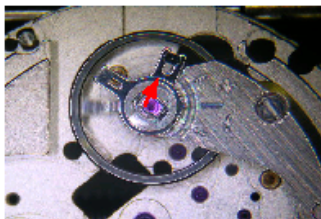
1. Initial phase  
Set the balance complete with stud and balance cock to the main plate.



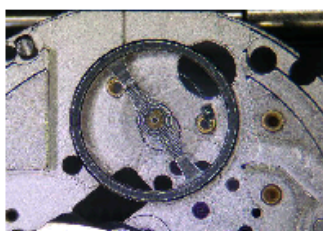
2. Move the stud support toward the balance cock until it is attached to the balance cock.  
\* When doing so, make sure that the outer end of the hairspring is not removed from the regulator arm.



3. Using sturdy tweezers, push the stud outward from the direction of the arrow shown in the illustration until it is removed from the stud support.

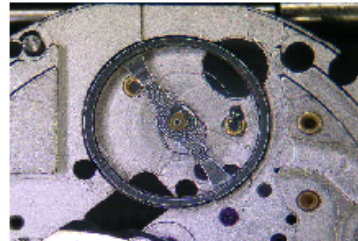


4. Remove the balance cock and replace the balance complete with stud with a new one.

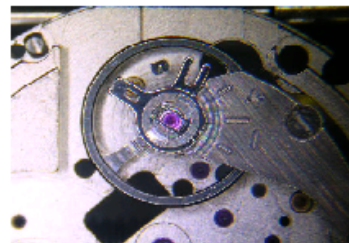


### HOW TO INSTALL

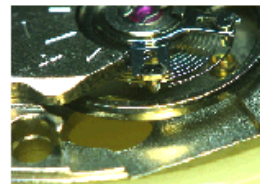
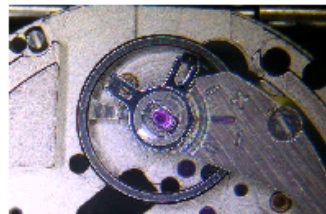
1. Initial phase  
Set a new balance complete with stud to the main plate.



2. Set the balance cock and tighten the balance cock screw.

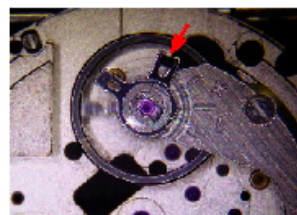


3. Temporarily set the stud to the stud support.  
Make sure that the hairspring passes outside the pin of the regulator arm.  
\* Be careful so as not to damage the hairspring.



4. Using sturdy tweezers, set the stud to the stud support and press it down.

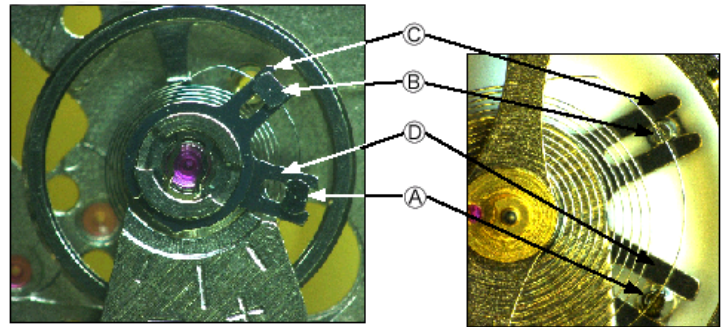
Make sure that the outer end of the hairspring passes through the regulator slot of the regulator arm.  
\* Be careful so as not to damage the hairspring.



## HOW TO ADJUST THE HAIRSPRING

1. Names of the parts

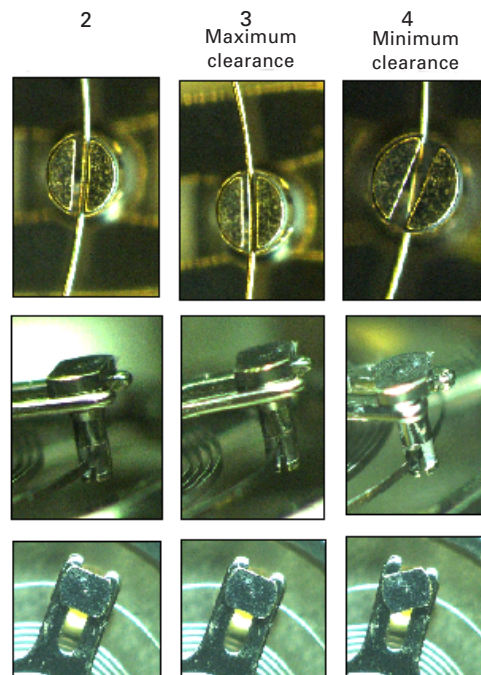
- A: Stud
- B: Regulator pin
- C: Regulator arm
- D: Stud support



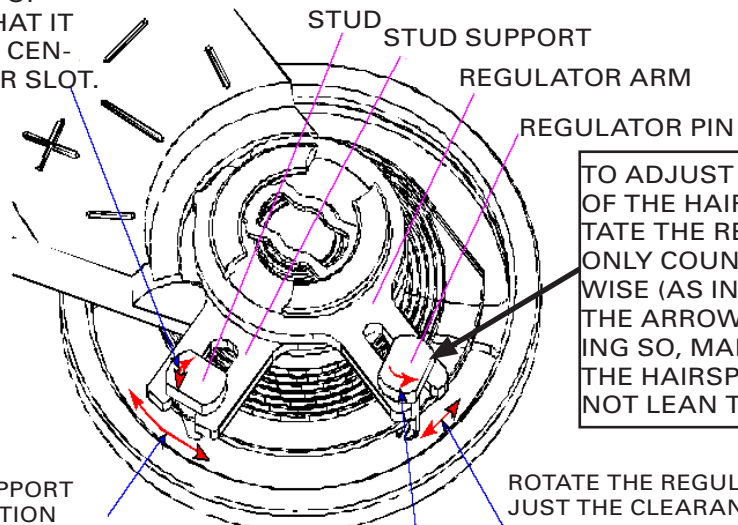
2. Rotate B to fine-tune the position of the outer end of the hairspring which passes through the regulator slot so that the hairspring makes the longest diameter.

3. Rotate A to fine-tune the position of the outer end of the hairspring so that the hairspring passes through the center of the regulator slot.

4. Rotate B to fine-tune the effective length of the hairspring which passes through the regulator slot to define adequate clearance.



ADJUST THE POSITION OF THE HAIRSPRING SO THAT IT PASSES THROUGH THE CENTER OF THE REGULATOR SLOT.



TO ADJUST THE LENGTH OF THE HAIRSPRING, ROTATE THE REGULATOR PIN ONLY COUNTERCLOCKWISE (AS INDICATED WITH THE ARROW). WHILE DOING SO, MAKE SURE THAT THE HAIRSPRING DOES NOT LEAN TO ONE SIDE.

MOVE THE STUD SUPPORT TO CORRECTLY POSITION THE ROLLER JEWEL.

ADJUST THE LOCATION OF THE REGULATOR ARM TO FINE-TUNE THE LENGTH OF THE HAIRSPRING.

ROTATE THE REGULATOR PIN TO ADJUST THE CLEARANCE TO CONTROL THE SWING ANGLE OF THE HAIRSPRING.