

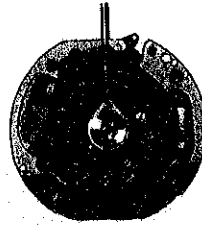
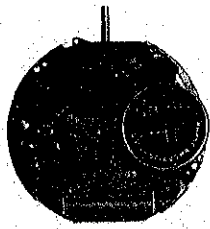
SEIKO

QUARTZ

Cal. 9721A

PARTS LIST

Cal. 9721A



131 087



231 029



☆241 058



261 006



☆270 029



☆271 050



282 019



354 055



383 047



384 018



389 010



☆397 026



436 003



491 180



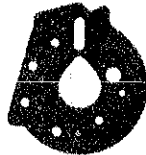
493 220



495 003



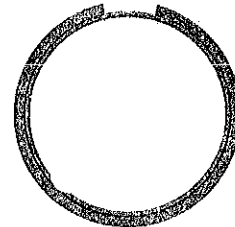
560 004



604 011



701 007



☆884 113



4001 123



4002 010



4146 007



4219 012



4219 013



4239 018



4242 075



4270 024



4453 004



011 542



☆Maxell SR1130SW

012 154	012 160	012 450	012 713	013 975	017 135	017 136	017 137	017 138
017 139	017 154	017 155	017 156					

☆⇒ Please see remarks on the next reverse page.

Cal. 9721A

Characteristics

Casing diameter : ϕ 26.0 mm
 Maximum height : 2.9 mm without battery
 Jewels : 2 j
 Frequency of quartz crystal oscillator : 32,768 Hz (Hz=Hertz Cycles per second)
 Driving system : Step motor system (2 poles)
 Regulation system : Trimmer condenser
 Second setting device
 Battery life indicator : Second hand moves in two-second interval.

PART NO.	PART NAME	PART NO.	PART NAME
131 087	Third wheel bridge	012 713	Setting wheel plate complete screw
231 029	Third wheel & pinion	013 975	Eccentric dial pin
☆241 057	Fourth wheel & pinion (4.14 mm)	017 135	Tube for coil block A
☆ 241 058	Fourth wheel & pinion (4.49 mm)	017 136	Tube for coil block B
261 006	Minute wheel	017 137	Tube for circuit block
☆ 270 029	Center minute wheel with cannon pinion (2.29 mm)	017 138	Tube for yoke (Tube for clutch lever)
☆270 032	Center minute wheel with cannon pinion (1.94 mm)	017 139	Tube for setting lever axle spring screw
☆ 271 050	Hour wheel (1.26 mm silver)	017 154	Tube for setting wheel plate complete screw
☆271 053	Hour wheel (0.96 mm gold)	017 155	Tube for third wheel bridge screw A
282 019	Clutch wheel	017 156	Tube for third wheel bridge screw B
354 055	Winding stem	☆Maxell SR1130SW	Silver oxide battery
383 047	Setting lever	☆SEIKO SR1130SW	
384 018	Yoke (Clutch lever)	☆SEIKO SB-AU	
389 010	Setting lever axle spring		
☆ 397 026	Lever for unlocking stem		
436 003	Lower end-piece for third wheel		
491 180	Dial washer		
493 220	Hour wheel ring (Thickness 0.03mm, gold)		
493 221	Hour wheel ring (Thickness 0.05mm, silver)		
493 222	Hour wheel ring (Thickness 0.10mm, gold)		
495 003	Spacer for third wheel bridge		
560 004	Friction spring for fourth wheel & pinion		
604 011	Setting wheel plate complete		
701 007	Fifth wheel & pinion		
☆ 884 113	Holding ring for dial		
4001 123	Circuit block		
4002 010	Coil block		
4146 007	Step rotor		
4219 012	Insulator for battery connection		
4219 013	Insulator for battery		
4239 018	Rotor stator		
4242 075	Plus terminal of battery connection		
4270 024	Battery connection		
4453 004	Spacer for connector		
011 542	Upper hole jewel for step rotor		
011 542	Lower hole jewel for step rotor		
012 154	Lower end-piece screw for third wheel		
012 160	Third wheel bridge screw		
012 160	Coil block screw		
012 160	Setting lever axle spring screw		
012 450	Circuit block screw		

☆☐ Please see remarks on the reverse page.

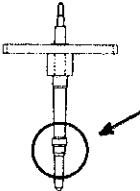


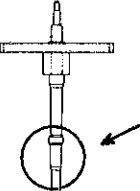


Part numbers in light letters are not shown in photos.

Cal. 9721A

Remarks :

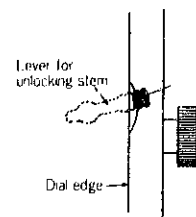
Fourth wheel & pinion, Center minute wheel with cannon pinion, Hour wheel.
There are two different types as specified below.

Combination :

Type	Fourth wheel & pinion	Center minute wheel with cannon pinion	Hour wheel
a			Gold 
	☆241 057	☆270 032	☆271 053
b			Silver 
	☆241 058	☆270 029	☆271 050

Lever for unlocking stem

☆397 026.....The size of a lever for unlocking stem is determined based on the design of cases. When adjusting the length of the lever for unlocking stem by cutting its tail, be sure that the tail partly comes out of the brim of the dial as shown in the illustration. If the tail is hidden from view by the dial, it will be difficult to disassemble the winding stem.



Holding ring for dial

☆884 113.....The type of holding ring for dial is determined based on the design of cases and dials. If the shape of holding ring for dial is different from the photograph, check the case number and refer to "SEIKO Quartz Casing Parts List" to choose a corresponding holding ring for dial.

Battery

☆Maxell SR1130SW }
 ☆SEIKO SR1130SW }The applied battery for this calibre might be added the substitutive in the future.
 ☆SEIKO SB-AU }In that case, please refer to separate "BATTERIES FOR SEIKO QUARTZ WATCHES".