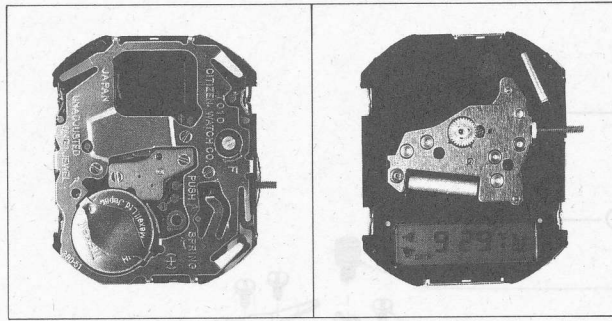


Catalog No. T01-1~T01-2



**T01-1**  
(Catalog No.)

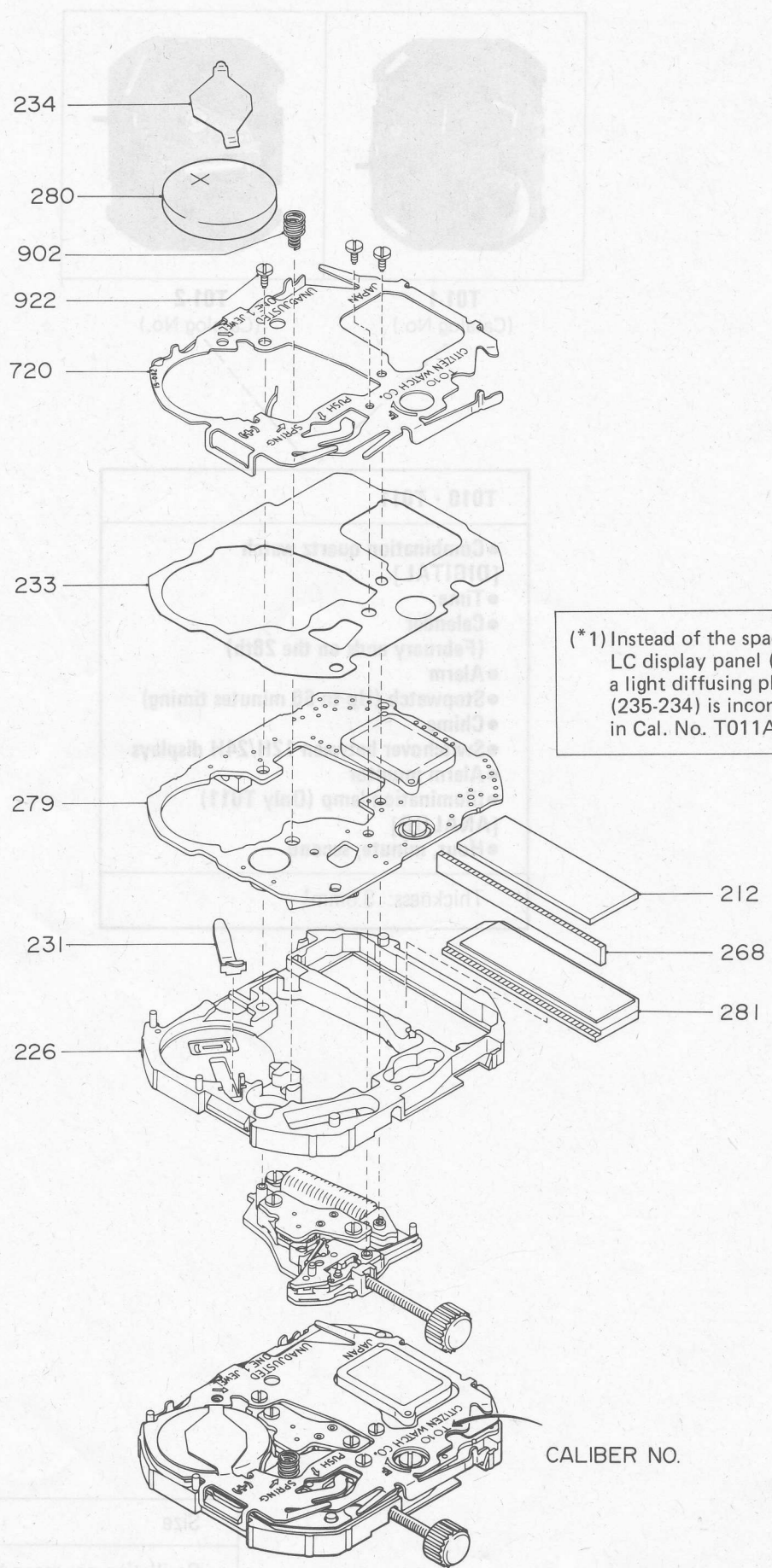
**T01-2**  
(Catalog No.)

**T010 · T011**

- **Combination quartz watch**  
[DIGITAL]
- **Time**
- **Calendar**  
(February ends on the 28th)
- **Alarm**
- **Stopwatch (Up to 60 minutes timing)**
- **Chime**
- **Switchover between 12H/24H displays**
- **Alarm monitor**
- **Illumination lamp (Only T011)**
- [ANALOG]
- **Hour, minute, second**

Thickness: 3.5mmt

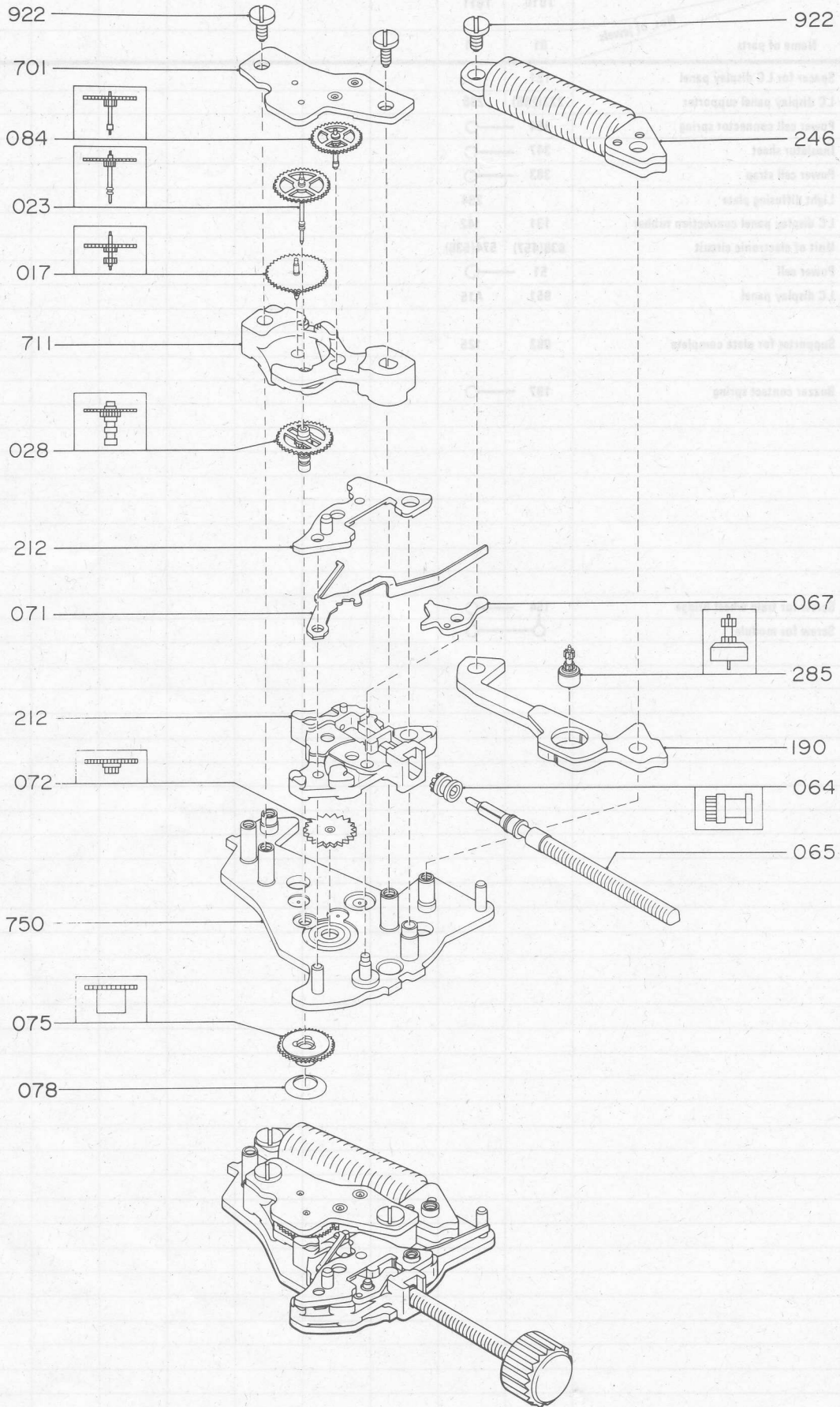
|                        |               |
|------------------------|---------------|
| Size                   | 23.0 x 27.7mm |
| Oscillation per second | 32,768Hz      |



(\*1) Instead of the spacer for LC display panel (212-121), a light diffusing plate (235-234) is incorporated in Cal. No. T011A.

Catalog No. T01-1

| Parts No. | Name of parts                      | Caliber No.    |          |  |  |  |  |  |  |  |  |  |  |  |  |  |  |  |
|-----------|------------------------------------|----------------|----------|--|--|--|--|--|--|--|--|--|--|--|--|--|--|--|
|           |                                    | T010           | T011     |  |  |  |  |  |  |  |  |  |  |  |  |  |  |  |
|           |                                    | Nos. of jewels |          |  |  |  |  |  |  |  |  |  |  |  |  |  |  |  |
|           |                                    | 01             | 01       |  |  |  |  |  |  |  |  |  |  |  |  |  |  |  |
| 212       | Spacer for LC display panel        | 121            |          |  |  |  |  |  |  |  |  |  |  |  |  |  |  |  |
| 226       | LC display panel supporter         | 223(286)       | 286      |  |  |  |  |  |  |  |  |  |  |  |  |  |  |  |
| 231       | Power cell connector spring        | 154            | —○       |  |  |  |  |  |  |  |  |  |  |  |  |  |  |  |
| 233       | Insulator sheet                    | 347            | —○       |  |  |  |  |  |  |  |  |  |  |  |  |  |  |  |
| 234       | Power cell strap                   | 383            | —○       |  |  |  |  |  |  |  |  |  |  |  |  |  |  |  |
| 235       | Light diffusing plate              |                | 234      |  |  |  |  |  |  |  |  |  |  |  |  |  |  |  |
| 268       | LC display panel connection rubber | 131            | 142      |  |  |  |  |  |  |  |  |  |  |  |  |  |  |  |
| 279       | Unit of electronic circuit         | 638(457)       | 574(536) |  |  |  |  |  |  |  |  |  |  |  |  |  |  |  |
| 280       | Power cell                         | 51             | —○       |  |  |  |  |  |  |  |  |  |  |  |  |  |  |  |
| 281       | LC display panel                   | 951            | A15      |  |  |  |  |  |  |  |  |  |  |  |  |  |  |  |
| 720       | Supporter for plate complete       | 083            | 125      |  |  |  |  |  |  |  |  |  |  |  |  |  |  |  |
| 902       | Buzzer contact spring              | 197            | —○       |  |  |  |  |  |  |  |  |  |  |  |  |  |  |  |
| 922       | Screw for train wheel bridge       | 154            | —○       |  |  |  |  |  |  |  |  |  |  |  |  |  |  |  |
| 922       | Screw for module                   |                | —○       |  |  |  |  |  |  |  |  |  |  |  |  |  |  |  |



Catalog No. T01-2

| Parts No. | Name of parts                    | Caliber No.    |      |  |  |  |  |  |  |  |  |  |  |  |  |  |  |  |  |  |
|-----------|----------------------------------|----------------|------|--|--|--|--|--|--|--|--|--|--|--|--|--|--|--|--|--|
|           |                                  | T010           | T011 |  |  |  |  |  |  |  |  |  |  |  |  |  |  |  |  |  |
|           |                                  | Nos. of jewels |      |  |  |  |  |  |  |  |  |  |  |  |  |  |  |  |  |  |
|           |                                  | 01             | 01   |  |  |  |  |  |  |  |  |  |  |  |  |  |  |  |  |  |
| 017       | Third wheel and pinion           | 103            | —○   |  |  |  |  |  |  |  |  |  |  |  |  |  |  |  |  |  |
| 023       | Fourth wheel and pinion          | 155            | —○   |  |  |  |  |  |  |  |  |  |  |  |  |  |  |  |  |  |
| 028       | Cannon pinion with driving wheel | 61             | —○   |  |  |  |  |  |  |  |  |  |  |  |  |  |  |  |  |  |
| 064       | Clutch wheel                     | 66             | —○   |  |  |  |  |  |  |  |  |  |  |  |  |  |  |  |  |  |
| 065       | Winding stem                     | 299            | —○   |  |  |  |  |  |  |  |  |  |  |  |  |  |  |  |  |  |
| 067       | Setting lever                    | 146            | —○   |  |  |  |  |  |  |  |  |  |  |  |  |  |  |  |  |  |
| 071       | Yoke                             | 77             | —○   |  |  |  |  |  |  |  |  |  |  |  |  |  |  |  |  |  |
| 072       | Minute wheel and pinion          | 76             | —○   |  |  |  |  |  |  |  |  |  |  |  |  |  |  |  |  |  |
| 075       | Hour wheel                       | 193            | —○   |  |  |  |  |  |  |  |  |  |  |  |  |  |  |  |  |  |
| 078       | Dial washer                      | 04             | —○   |  |  |  |  |  |  |  |  |  |  |  |  |  |  |  |  |  |
| 084       | Fifth wheel and pinion           | 19             | —○   |  |  |  |  |  |  |  |  |  |  |  |  |  |  |  |  |  |
| 190       | Stator                           | 42             | —○   |  |  |  |  |  |  |  |  |  |  |  |  |  |  |  |  |  |
| 212       | Clutch wheel guard               | 20             | —○   |  |  |  |  |  |  |  |  |  |  |  |  |  |  |  |  |  |
| 212       | Spacer for setting stem          | 118            | —○   |  |  |  |  |  |  |  |  |  |  |  |  |  |  |  |  |  |
| 246       | Coil unit                        | 92             | —○   |  |  |  |  |  |  |  |  |  |  |  |  |  |  |  |  |  |
| 285       | Rotor                            | 57             | —○   |  |  |  |  |  |  |  |  |  |  |  |  |  |  |  |  |  |
| 701       | Train wheel bridge               | 54             | —○   |  |  |  |  |  |  |  |  |  |  |  |  |  |  |  |  |  |
| 711       | Center wheel cock                | 117            | —○   |  |  |  |  |  |  |  |  |  |  |  |  |  |  |  |  |  |

**Jewels**

| Parts No. | Name of parts | Caliber No.    |      |  |  |  |  |  |  |  |  |  |  |  |  |  |  |  |  |  |  |
|-----------|---------------|----------------|------|--|--|--|--|--|--|--|--|--|--|--|--|--|--|--|--|--|--|
|           |               | T010           | T011 |  |  |  |  |  |  |  |  |  |  |  |  |  |  |  |  |  |  |
|           |               | Nos. of jewels |      |  |  |  |  |  |  |  |  |  |  |  |  |  |  |  |  |  |  |
|           |               | 01             | 01   |  |  |  |  |  |  |  |  |  |  |  |  |  |  |  |  |  |  |
| 942       | Rotor /U      | 81             | —○   |  |  |  |  |  |  |  |  |  |  |  |  |  |  |  |  |  |  |
| 950       | Fifth W/U     | 169            | —○   |  |  |  |  |  |  |  |  |  |  |  |  |  |  |  |  |  |  |
| 950       | Rotor /L      | 171            | —○   |  |  |  |  |  |  |  |  |  |  |  |  |  |  |  |  |  |  |