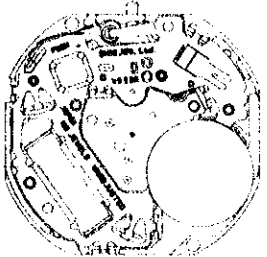
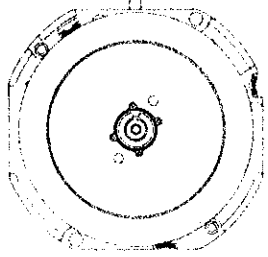


SERVICE GUIDE CAL. V53 SERIES

1. SPECIFICATIONS

Cal. No.		V532	V533	V537
Item				
Movement		The illustrations refer to Cal. V533.		
				(x 1.5)
Movement size	Outside diameter	$\phi 24.0$ 21.3mm between 3 o'clock and 9 o'clock sides 22.5mm between 6 o'clock and 12 o'clock sides		
	Casing diameter	$\phi 23.3\text{mm}$ 21.3mm between 3 o'clock and 9 o'clock sides 22.5mm between 6 o'clock and 12 o'clock sides		
	Height	3.22mm	3.74mm	3.74mm
Time indication		3 hands		
Driving system		Step motor (Load compensated driving pulse type)		
Additional mechanism		Date calendar	Day and date calendar	Date calendar
		Instant calendar (date) setting device	Instant calendar (day and date) setting device	Instant calendar (date) setting device
		—	Bilingual changeover system for day of the week	—
		Electronic circuit reset switch		
Loss/gain		Monthly rate: 30 seconds at normal temperature range		
Regulation system		Nil		
Measuring gate by Quartz Tester		Any gate can be used.		
Battery		SEIKO SR927SW MAXELL SR927SW SONY SR927SW EVEREADY 395 Voltage: 1.55V Battery life is approximately 3 years.		
Jewels		0 jewel		
After-sales servicing system		Individual movement parts except day star with dial disk cannot be replaced, and therefore replace the whole movement with a new one if it is found to be out of order. For the models with one-piece type case, replace the watch completely with a new one.		

2. MEASURING ACCURACY

When measuring accuracy, check that the second hand moves at normal one-second intervals.

3. REPLACING THE PARTS

To eliminate maintenance procedures, the movement parts of Cal. V53 series are fixed by heat-treatment or hooked to the plastic main plate, and no screws are used. Therefore, the movement parts cannot be replaced in principle (day star with dial disk can be replaced).

For the models with plastic one-piece type case, parts except the battery and battery hatch cannot be replaced, as the case back cannot be opened.

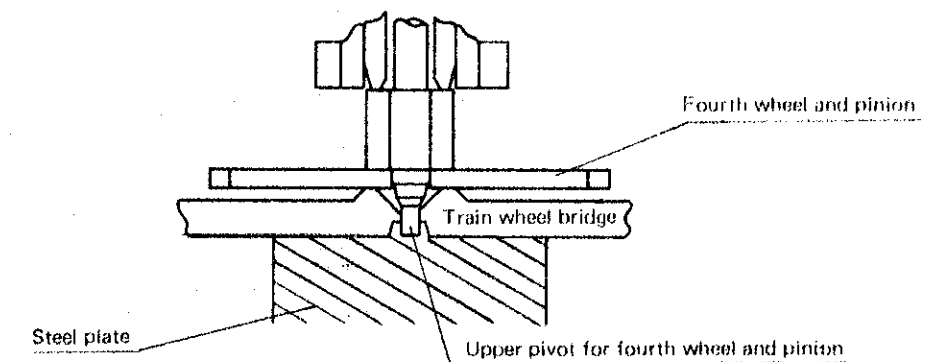
Models with plastic one-piece type case	Parts except the battery and battery hatch cannot be replaced.
Other models	Movement parts except the day star with dial disk cannot be replaced.

4. HOW TO REMOVE THE CROWN

To remove the crown, pull out the crown to the second click position and push the setting lever. If the crown is at the normal position or at the first click position, the setting lever cannot be pushed and the crown cannot be removed.

5. HOW TO INSTALL THE HANDS

- To install the hands, be sure to support the upper pivot for fourth wheel and pinion directly on a steel plate. Otherwise, the train wheel bridge may be damaged.

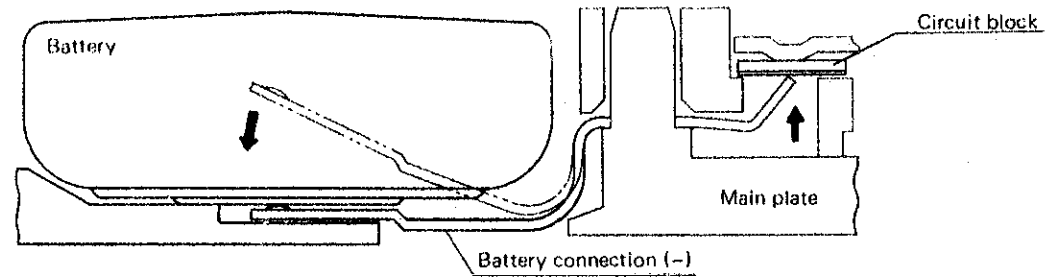


- When installing the hands, be sure to set the crown at the normal (pushed-in) position.

6. CHECKING THE OPERATION OF THE MOVEMENT

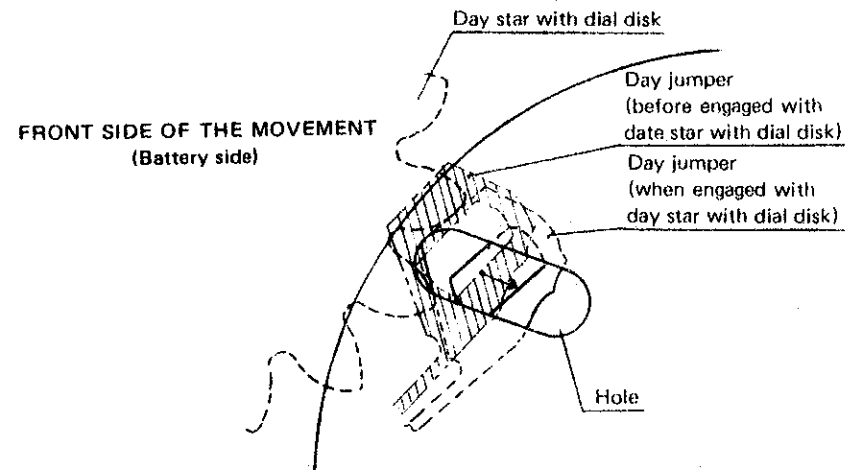
To drive the movement with an external power supply, connect the (+) terminal of the power source with the battery connection (+) and the (-) terminal with the battery connection (-). Then, be sure to press the battery connection (-) against the main plate.

Otherwise, the voltage may not be applied to the circuit block and the movement may not operate, as the movement is so constructed that the complete conductivity can be obtained when the battery installed presses the battery connection (-) against the main plate. Also, as the main plate is made of plastic, the movement may not operate if the (+) terminal of the power supply is connected with the winding stem.



7. HOW TO REPLACE THE DAY STAR WITH DIAL DISK (Replace the whole movement in principle.)

When replacing the day star with dial disk, move the day jumper with tweezers through the hole on the battery side, as shown in the illustration, to engage it with the day star with dial disk. Then, install the snap for day star with dial disk.



8. WINDING STEM

Winding stem is available for supply. The type of winding stem is determined based on the design of case and dial. Check the case number and refer to "Casing Parts Catalogue" to choose a corresponding winding stem.

9. VALUE CHECKING

- Current consumption

Use the SEIKO Digital Multi Tester S-840A (with Multi Adaptor MA-40A).

Range to be used: μA Red probe Battery connection (+) Black probe Battery connection (-)	Result: For the whole of the movement Less than $2.2\mu\text{A}$
---	---